

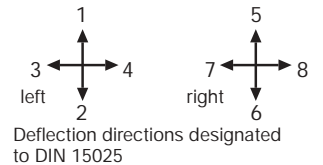
The multi-axis controller V6 is a rugged switching device according IEC 947-5-1 EN 60947 DIN VDE 0660-200 for hoisting applications. The modular design enables the switching device to be used universally. The V6 is resistant to oil, maritime climate ozone and UV radiation.

Contact complement 2 A 250 V AC 15 res. 1 A 24 V DC 13 (standard)
or 4 A 250 V AC 15 (special)

Mechanical life 10 million (operating cycles)
Permissible ambient temperature Operation -40° C to + 60° C
Storage -50° C to + 80° C

Climate resistance
Damp heat constant DIN IEC 68 part 2-3
Damp heat cyclic DIN IEC 68 part 2-30
Degree of protection front IP 54 IEC 529 DIN 40050
Technical data look catalog 5/100
Description data look catalog 5/002

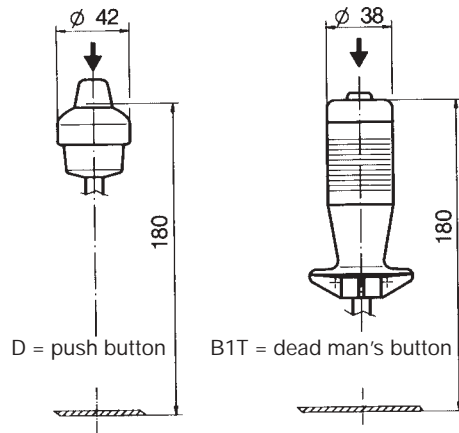
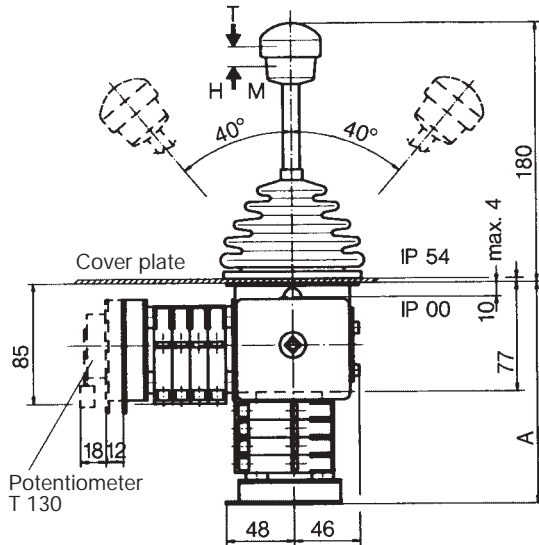
Spindle block with schematic representation of the master controller installation and deflection directions. Version shown for Left-hand side installation (right-hand side installation is mirror image).



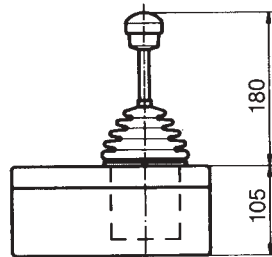
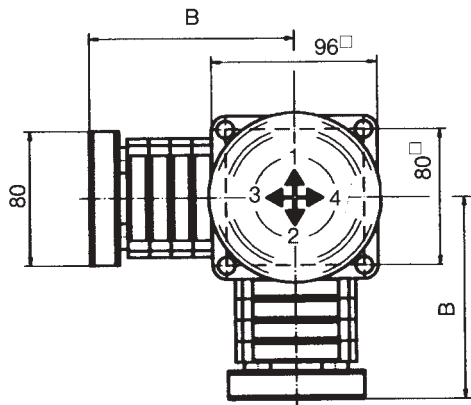
Pos.	V 61	V 61.1	V 62	V 64	V 64.1	Type	Weight gramm	Price EURO
1						V 61	960	
2						V 61.1	980	
3						V 62	900	
4						V 64	1010	
5						V 64.1	960	
10	Gate cross-shaped (prohibits diagonal shifting)					P	60	
11	Gate special-shaped (for e. H-gate)					P	60	
12	Spring return in 0-position (for each direction)					Z	110	
13	Friktion brake (for each direction)					R	30	
14								
20	Control-handle with knob solid					M	50	
21	Control-handle with latch for mechanical zero interlock					T	100	
22	Control-handle with dead man's button 1 NO					H	100	
23	Control-handle with signal button 1 NO					D	110	
24	Control-handle with push button 1 NO					DV	110	
25	Control-handle with flat push button 1 NO					B 1	40	
26	Control handle with palm grip B 1					B 1T	60	
27	Control handle with palm grip B 1 with push button top 1 NO							
28	Control handle long or short 200, 160 mm							
29	More knobs, grips and T-grips with and without signal devices look catalog 1/280...							
30	Masterswitch switching sequence 4-0-4					No. of contacts 2	01	290
31						4	02	350
32	Direction 1-2 and 3-4 each 1 masterswitch					6	03	410
33	Switching program according contact-arrangement MS... look catalog 5/001					8	04	470
34	or to your contact-arrangement					10	05	530
35						12	06	590
36	Switching sequence 5-0-5 or 6-0-6							
37	Micro changeover contact (MZT 1) positive opening					2		
40	Potentiometer e.t.c. each masterswitch with mounted Wire-wound potentiometer T 130, with centre tap linear Life 10 ⁷ switching cycles resistance 2 x 0,5/1/2/5/10 kOhm, 1,5 Watt wiper current max. 10 mA					P	70	
41	Prepared for mounting potentiometer shaft 6 mm adjusting-angle 2 x 150°					(P)		
42	Prepared for mounting potentiometer e.t.c. adjusting-angle variable.					(P)		
43	more Potentiometer e.t.c. look catalog 1/240...							
50	Steel sheet housing B 200 masterswitch max. size 05					B	1300	
51	Steel sheet housing B 230x340 masterswitch max. size 07					B	1500	
52	More housing look catalog 1/250							
60	Indicating labels not engraved with 2 or 4 arrows							
61	Engraved each 10 characters							
62								
70	Command and indicating devices look catalog 1/260							



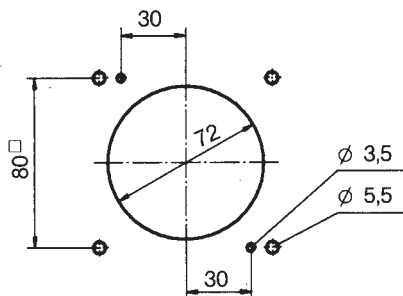
T = dead man's button
H = signal button
M = latch for mechanical zero interlock



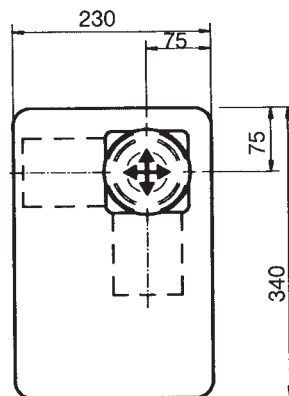
Type	No. of contacts	Dimension A	Dimension B
01	2	119	82
02	4	131	94
03	6	144	107
04	8	156	119
05	10	169	132
06	12	181	144



Steel sheet housing



Hole pattern



Example for type-sign

Steel sheet housing

Multi-axis controller

Gate

Dead man's button

Masterswitch direction 1-2

B V62 P T- 03 Z P - 04 R + X



Special please to describe

Friction brake direction 3-4

Masterswitch direction 3-4

Potentiometer e.t.c. direction 1-2

Spring return direction 1-2