



The multi-axis controller V14 is a rugged switching device according IEC 947-5-1 EN 60947 DIN VDE 0660-200 for remote control and hoisting applications.  
The V14 is resistant to oil, maritime climate ozone and UV radiation.

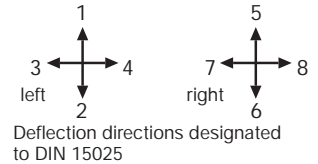
**Contact complement 2 A 250 V AC 15 res. 1 A 24 V DC 13**

Mechanical life 6 million (operating cycles)  
Permissible ambient temperature Operation -40° C to + 60° C  
Storage -50° C to + 80° C

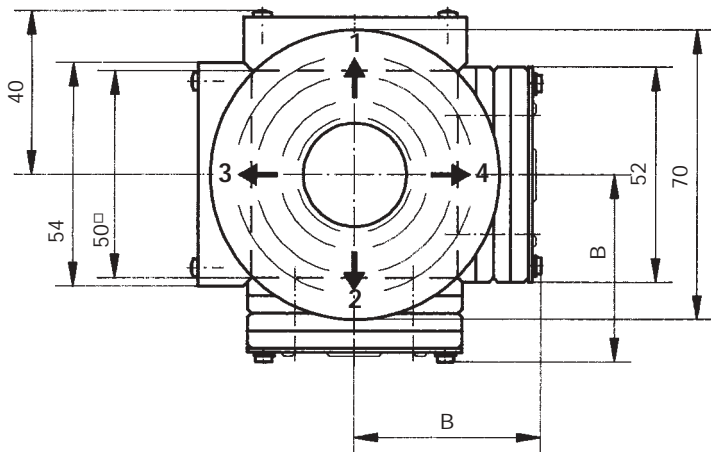
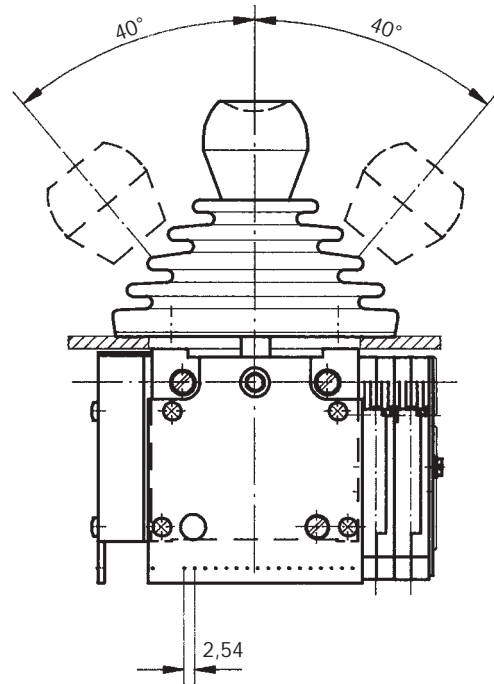
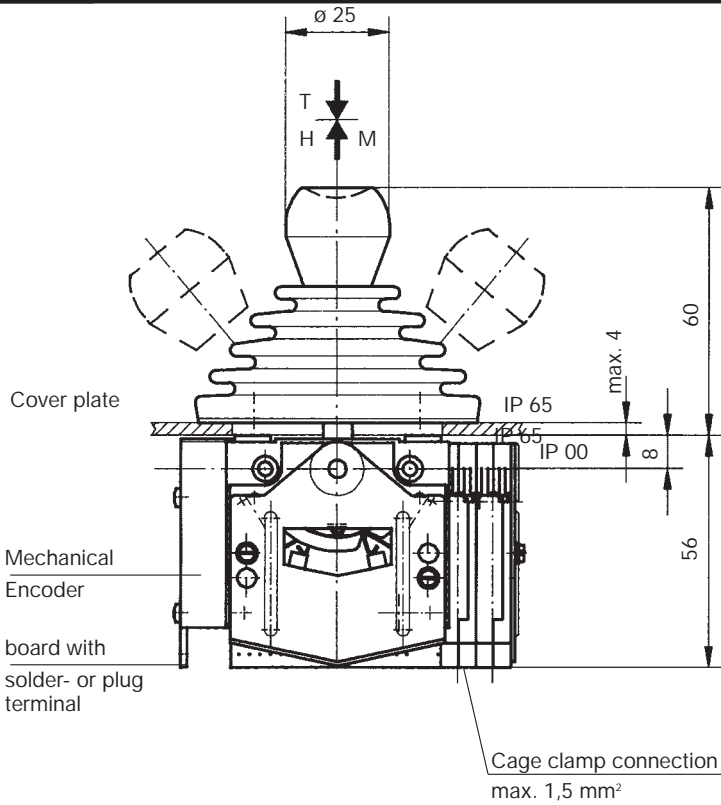
Climate resistance  
Damp heat constant DIN IEC 68 part 2-3  
Damp heat cyclic DIN IEC 68 part 2-30  
Degree of protection front IP 65 IEC 529 DIN 40050

Description data look catalog 5/002

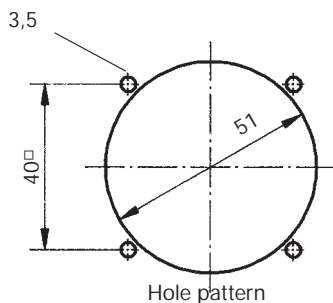
Spindle block with schematic representation of the master controller installation and deflection directions. Version shown for Left-hand side installation (right-hand side installation is mirror image).



Pos.	V 14.1	V14	Type	Weight gramm	Price EURO
1			V 14.1	175	
2					
3			V 14	200	
4					
5					
10	Gate cross-shaped	(prohibits diagonal shifting)	P	20	
11	Gate special-shaped	(for e. H-gate)	P	20	
12	Spring return in 0-position	(include in the spindle block)	Z		
13					
14					
20	Control-handle with knob solid		M	50	
21	Control-handle with latch for mechanical zero interlock		T	80	
22	Control-handle with dead man's button 1 NO		H	80	
23	Control-handle with signal button 1 NO				
24					
25					
26					
27					
28	Control-handle long 80 mm				
29					
30	Masterswitch switching sequence 4-0-4 adjustable (with Encoder 6-0-6)	No. of contacts 2	01	70	
31		4	02	130	
32	Direction 1-2 and 3-4 each 1 masterswitch	6	03	190	
33	Switching program according contact-arrangement MS... look catalog 5/001				
34	or to your contact-arrangement				
35					
36					
44	Mechanical Encoder with mounted direction 1-2 and 3-4 each 1 Encoder life 5 x 10 <sup>6</sup> switching cycles, 0,5 Watt wiper current max. 1 mA		P	20	
45	Mechanical Encoder MEC 1-2 male connector EA/02-10 contact-arrangement MS 26-0 look catalog 5/001		P	20	
46	Mechanical Encoder MEC 1-7 male connector EA / 10-10 contact-arrangement MS 26-0-1 look catalog 5/001		P	20	
47	Mechanical Encoder MEC 1-6 male connector EA / 09-10, 6 Bit Gray-Code		P	30	
48	Mechanical Encoder MEC 1-6-5 male connector ER / 36-10 powersupply 24 V DC, output power impressed 4-20 mA		P	30	
49	Mechanical Encoder MEC 1-6-8 male connector ER / 36-10 powersupply 24 V DC, output power impressed 0-20 mA		P	30	
52	Housing look catalog 1/250				
60	Indicating labels not engraved with 2 or 4 arrows				
61	Engraved each 10 characters				
70	Command and indicating devices look catalog 1/260				



Type	No. of contacts	Dimen. B
01	2	36
02	4	45
03	6	54



Hole pattern

Example for type-sign

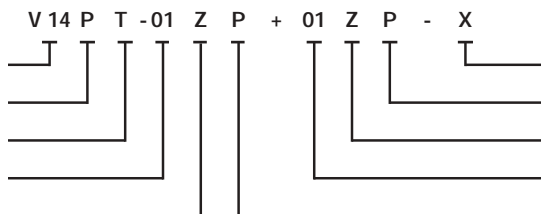
Multi-axis controller

Gate

Dead man's button

Masterswitch direction 1-2

Spring return direction 1-2



Special please to describe

Mechanical encoder MEC direc. 3-4

Spring return direction 3-4

Masterswitch direction 3-4

Mechan. encoder MEC direction 1-2