

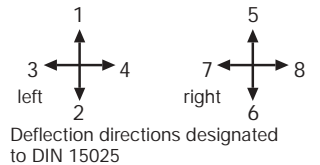
The multi-axis controller V20 is a rugged switching device according IEC 947-5-1 EN 60947 DIN VDE 0660-200 for remote control and other applications.  
The V20 is resistant to oil, maritime climate ozone and UV radiation.

Mechanical life 3 million (operating cycles)  
Permissible ambient temperature Operation -30° C to + 70° C  
Storage -50° C to + 80° C

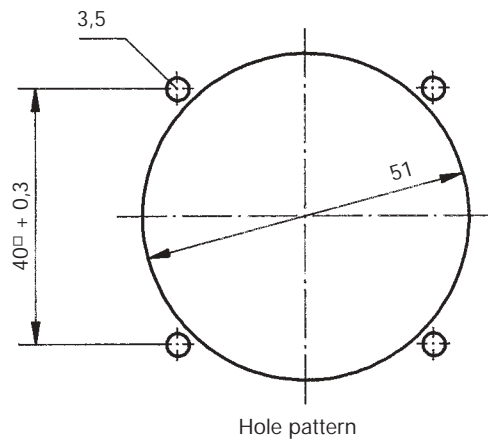
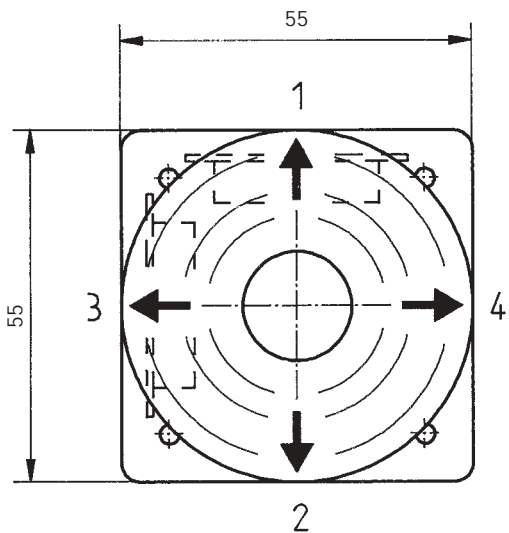
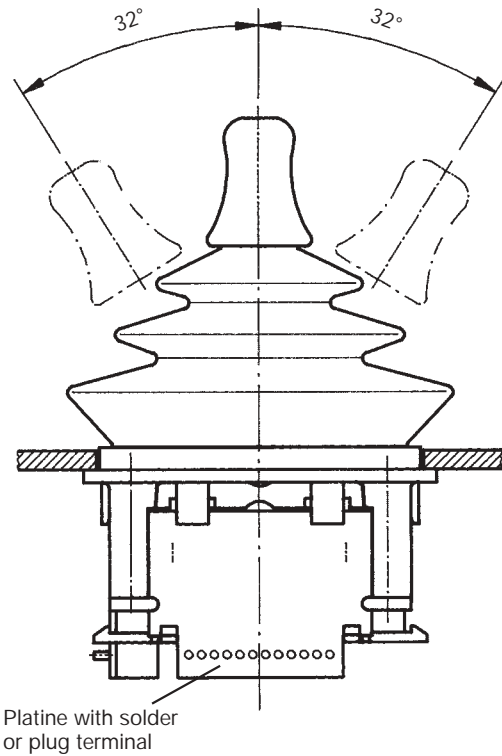
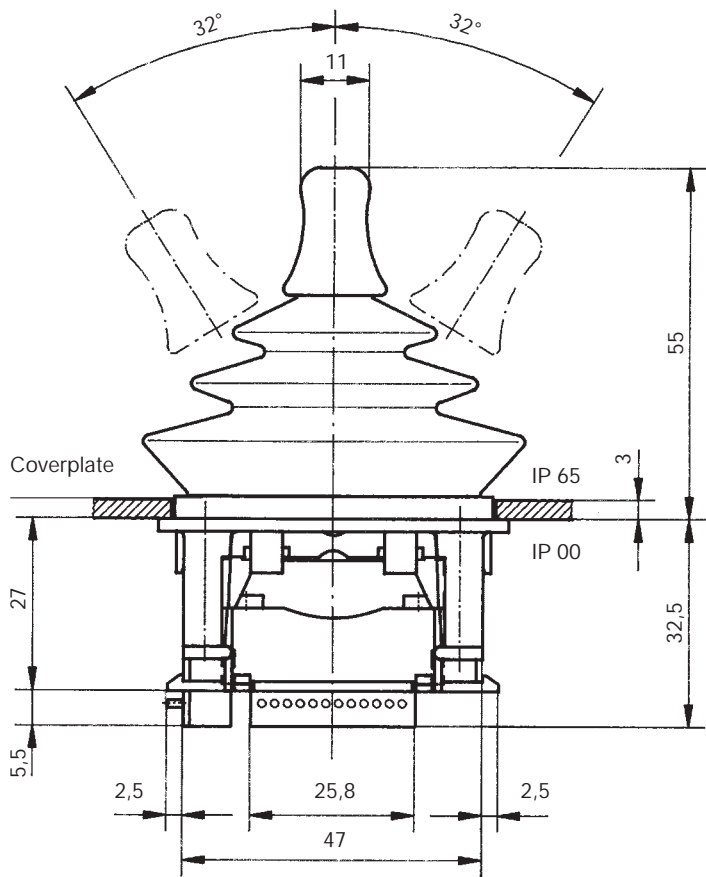
Climate resistance  
Damp heat constant DIN IEC 68 part 2-3  
Damp heat cyclic DIN IEC 68 part 2-30  
Degree of protection front IP 65 IEC 529 DIN 40050

Description data look catalog 5/002

Spindle block with schematic representation of the master controller installation and deflection directions. Version shown for Left-hand side installation (right-hand side installation is mirror image).



Pos.	V 20.1	V20	Type	Weight gramm	Price EURO
1			V 20.1	80	
2					
3			V 20	90	
4					
5					
9	Gate open-shaped	for open shifting switching sequence 1-0-1 to 3-0-3			
10	Gate cross-shaped	(prohibits diagonal shifting)	P	15	
11	Gate special-shaped	(for e. H-gate)	P	15	
12	Spring return in 0-position	(include in the spindle block)	Z		
13					
14					
20	Control-handle with knob solid				
21					
22					
23					
24					
25					
30	without switching sequence				
34					
35					
36	switching sequence 4-0-4				
44	Mechanical Encoder with mounted direction 1-2 and 3-4 each 1 Encoder life 3 x 10 <sup>6</sup> switching cycles, 0,5 Watt wiper current max. 1 mA Mechanical Encoder MEC 2-1 male connector EA/15-10 contact-arrangement MS 224-0 look catalog 5/001 Conductive-plastic-potentiometer with centre tap linear resistance 2 x 5 kOhm		P	15	
45	Mechanical Encoder MEC 2-2 male connector EA / 11-10 contact-arrangement MS 24-0 look catalog 5/001 Conductive-plastic-potentiometer with centre tap linear resistance 2 x 5 kOhm		P	15	
52	Housing look catalog 1/250				
60	Indicating labels not engraved with 2 or 4 arrows				
61	Engraved each 10 characters				
70	Command and indicating devices look catalog 1/260				



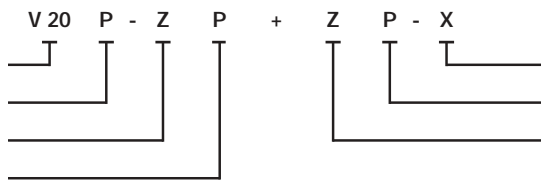
Example for type-sign

Multi-axis controller

Gate

Spring return direction 1-2

Mechanical encoder direction 1-2



Special please to describe

Mechanical Encoder direction 3-4

Spring return direction 3-4