



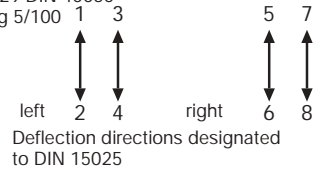
The double-handle controller D 3 is a rugged switching device according IEC 947-5-1 EN 60947 DIN VDE 0660-200 for nautical navigation applications. The modular design enables the switching device to be used universally. The D 3 is resistant to oil, maritime climate ozone and UV radiation.

Contact complement 0,5 A 110 V AC 15 res. 1,5 A 24 V DC 13
I min > 0,2 mA 2 V DC 12 Gold plated for max. load of 0,12 Watt (standard)
or I max < 300 mA 0,4 V DC 12 max. capacity 0,12 Watt do not exceed!
I min >0,2 mA 2 V DC 12 max. contact reliability for very low current (special)

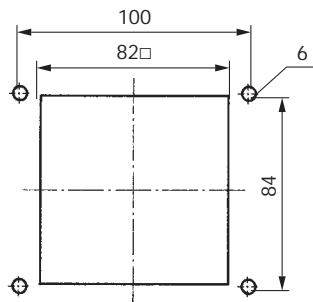
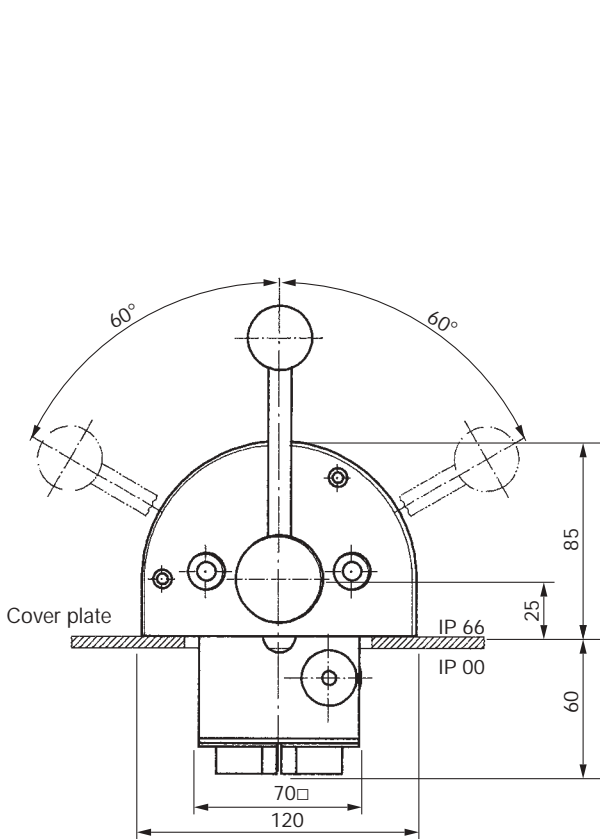
Mechanical life 10 million (operating cycles)
 Permissible ambient temperature Operation -40° C to + 60° C
 Storage -50° C to + 80° C

Climate resistance
 Damp heat constant DIN IEC 68 part 2-3
 Damp heat cyclic DIN IEC 68 part 2-30
 Degree of protection front IP 66 IEC 529 DIN 40050
 Technical data look catalog 5/100

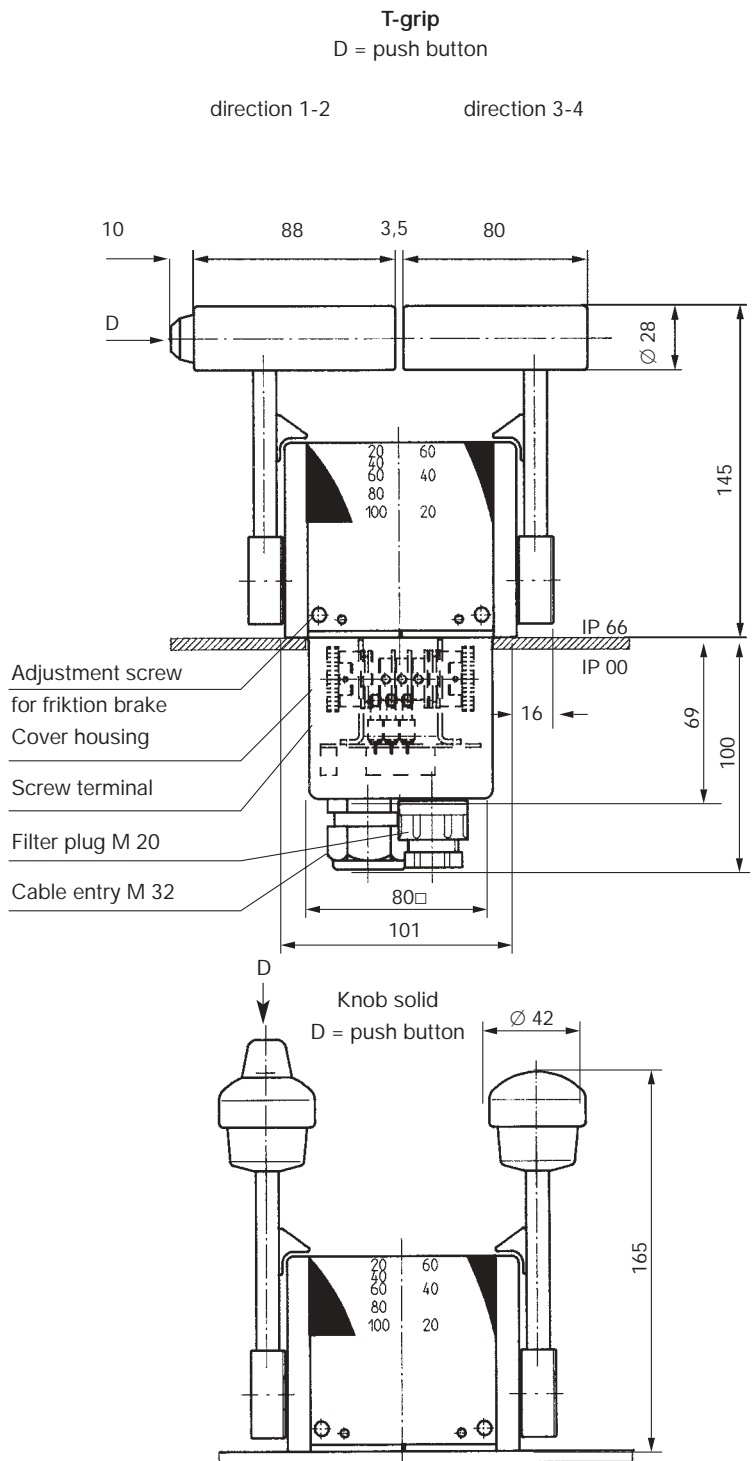
Spindle block with schematic representation of the master controller installation and deflection directions. Version shown for Left-hand side installation (right-hand side installation is mirror image).



Pos.	D 3	Type	Weight gramm	Price EURO	
1					
2					
3		D 3	4000		
4					
5					
10	Spring return in 0-position (only 1 direction)	Z	30		
11					
12		R	30		
13					
14	Friktion brake (for each direction)				
20	Control-handle with knob solid				
21					
22					
23					
24		Control-handle with push button 1 NO	D	110	
25					
26		Control-handle with T-grip	Q	40	
27		Control-handle with T-grip and push button side 1 NO	QD	60	
28		Control handle long or short 180, 140 mm			
29					
30	Masterswitch switching sequence -0- No. of contacts 1	1	20		
31		2	40		
32		3	60		
33		Direction 1-2 and 3-4 each 1 masterswitch			
34		Switching program according contact-arrangement MS... look catalog 5/001 or to your contact-arrangement			
35					
36	Switching sequence special				
40	Potentiometer e.t.c. each masterswitch with mounted Conductive-plastic-potentiometer T 246, with centre tap linear Life 10 ⁷ switching cycles resistance 2 x 5 kOhm, 0,5 Watt wiper current max. 1 mA	P	70		
41		(P)			
42		(P)			
43		Prepared for mounting potentiometer shaft 6 mm adjusting-angle 2 x 75° more Potentiometer e.t.c. look catalog 1/240...			
50	Cover housing	B	300		
51		Filter plug M 20 for air-condition		20	
52		cable entry M 32 with anti-kink protection		30	
53					
54					
55					
56					
60	Indicating label eloxal aluminium plate silvery (include in the spindle block)				
61		Engraved each 10 characters			



Hole pattern



Example for type-sign

Cover housing

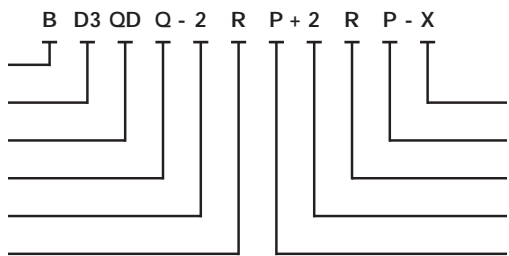
Double-handle controller

T-grip with push button direction 1-2

T-grip direction 3-4

Masterswitch direction 1-2

Friction brake direction 1-2



Special please to describe

Potentiometer e.t.c. direction 3-4

Friction brake direction 3-4

Masterswitch direction 3-4

Potentiometer e.t.c. direction 1-2