

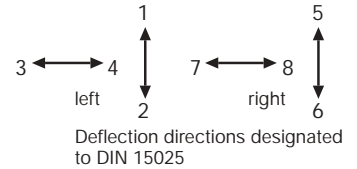
The single-axis controller S 21 is a rugged switching device according IEC 947-5-1 EN 60947 DIN VDE 0660-200 for electronic-hydraulic applications. The modular design enables the switching device to be used universally. The S 21 is resistant to oil, maritime climate ozone and UV radiation.

**Contact complement 2 A 250 V AC 15 res. 3 A 24 V DC 13**

Mechanical life 6 million (operating cycles)  
Permissible ambient temperature Operation -40° C to + 60° C  
Storage -50° C to + 80° C

Climate resistance  
Damp heat constant DIN IEC 68 part 2-3  
Damp heat cyclic DIN IEC 68 part 2-30  
Degree of protection front IP 54 IEC 529 DIN 40050  
Technical data look catalog 5/100

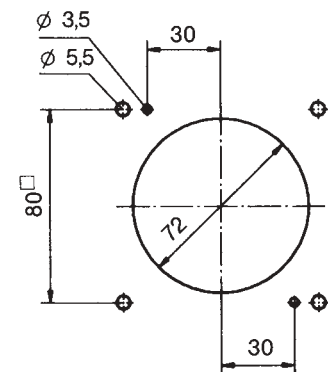
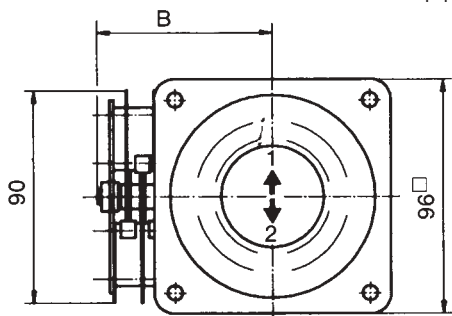
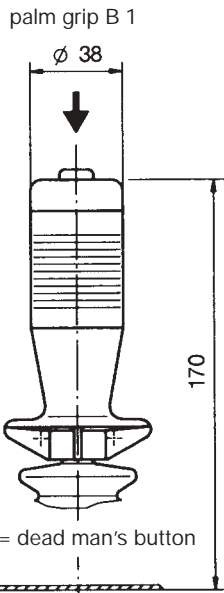
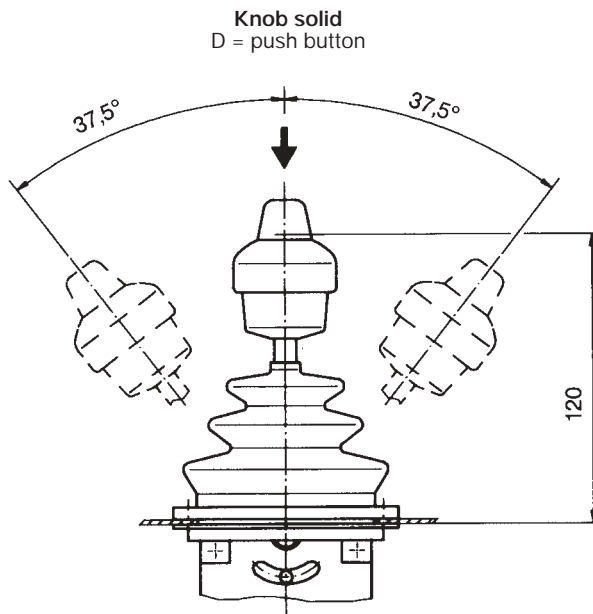
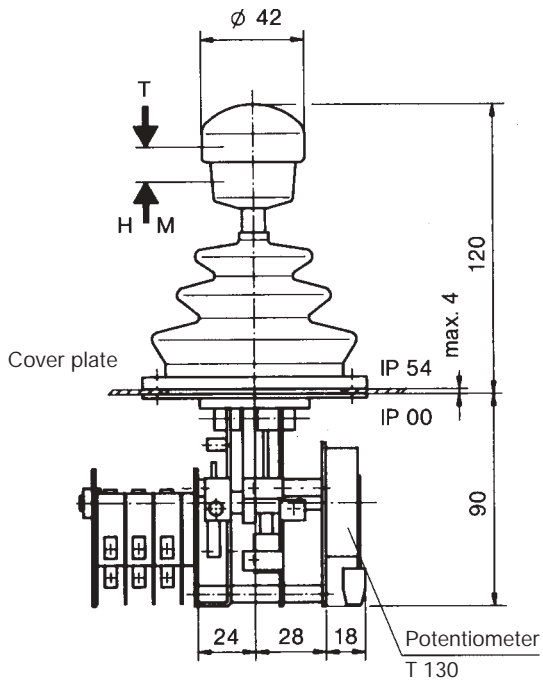
Spindle block with schematic representation of the master controller installation and deflection directions. Version shown for Left-hand side installation (right-hand side installation is mirror image).



Pos.	S 21	Type	Weight gramm	Price EURO
1		S 21	650	
2				
3				
4				
5				
10	Spring return in 0-position Friktion brake	Z	20	
11				
12		R	20	
13				
14				
20	Control-handle with knob solid	M	50	
21	Control-handle with latch for mechanical zero interlock	T	100	
22	Control-handle with dead man's button 1 NO	H	100	
23	Control-handle with signal button 1 NO	D	110	
24	Control-handle with push button 1 NO	DV	110	
25	Control-handle with flat push button 1 NO	B 1	40	
26	Control handle with palm grip B 1	B 1T	60	
27	Control handle with palm grip B 1 with push button top 1 NO			
28	Control handle long or short 140, 100 mm			
29	More knobs, grips and T-grips with and without signal devices look catalog 1/280...			
30	Masterswitch switching sequence 5-0-5	No. of contacts		
31		3	02	300
32		5	03	330
33	Switching program according contact-arrangement MS... look catalog 5/001	7	04	360
34	or to your contact-arrangement	9	05	390
35				
36				
40	Potentiometer e.t.c. each masterswitch with mounted Wire-wound potentiometer T 130, with centre tap linear Life 10 <sup>7</sup> switching cycles resistance 2 x 0,5/1/2/5/10 kOhm, 1,5 Watt wiper current max. 10 mA	P	70	
41	Prepared for mounting potentiometer shaft 6 mm adjusting-angle 2 x 150°	(P)		
42	Prepared for mounting potentiometer e.t.c. adjusting-angle variable.	(P)		
43	more Potentiometer e.t.c. look catalog 1/240...			
50	Steel sheet housing B 200 masterswitch Gr. 05	B	1300	
51				
52	More housing look catalog 1/250			
60	Indicating labels not engraved with 2 arrows			
61	Engraved each 10 characters			
62				
70	Command and indicating devices look catalog 1/260			

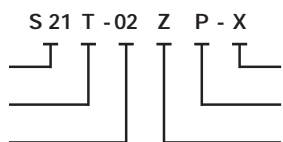


T = dead man's button  
H = signal button  
M = latch for mechanical zero interlock



Type	No. of contacts	Dimension B
02	3	62
03	5	72
04	7	83
05	9	93

Example for type-sign  
Single-axis controller  
Dead man's button  
Masterswitch direction 1-2



Special please to describe  
Potentiometer e.t.c.  
Spring return