

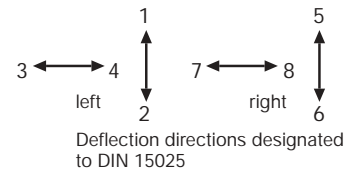
The single-axis controller S 23 is a rugged switching device according IEC 947-5-1 EN 60947 DIN VDE 0660-200 for electro-hydraulic applications and offshore. The modular design enables the switching device to be used universally. The S 23 is resistant to oil, maritime climate ozone and UV radiation.

Contact complement 2 A 250 V AC 15 res. 3 A 24 V DC 13

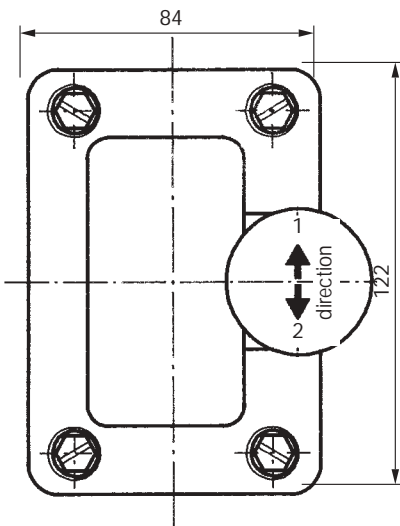
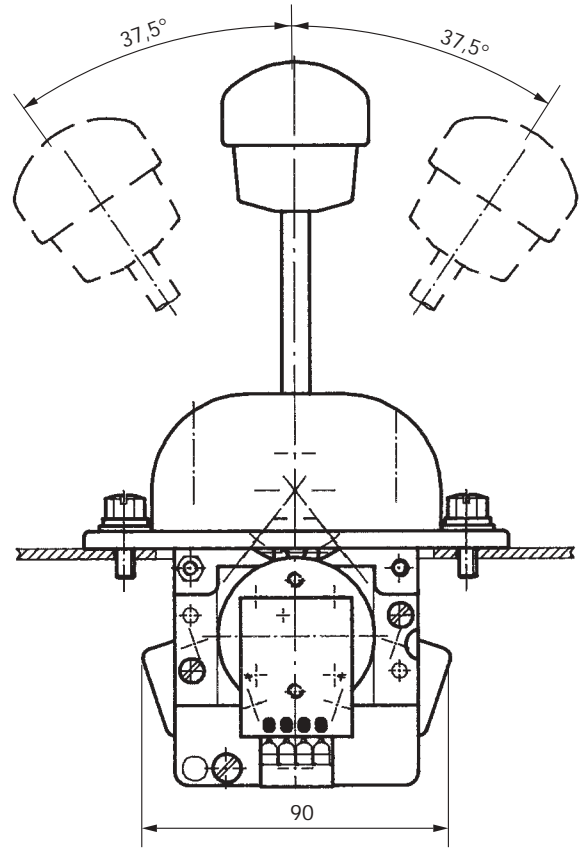
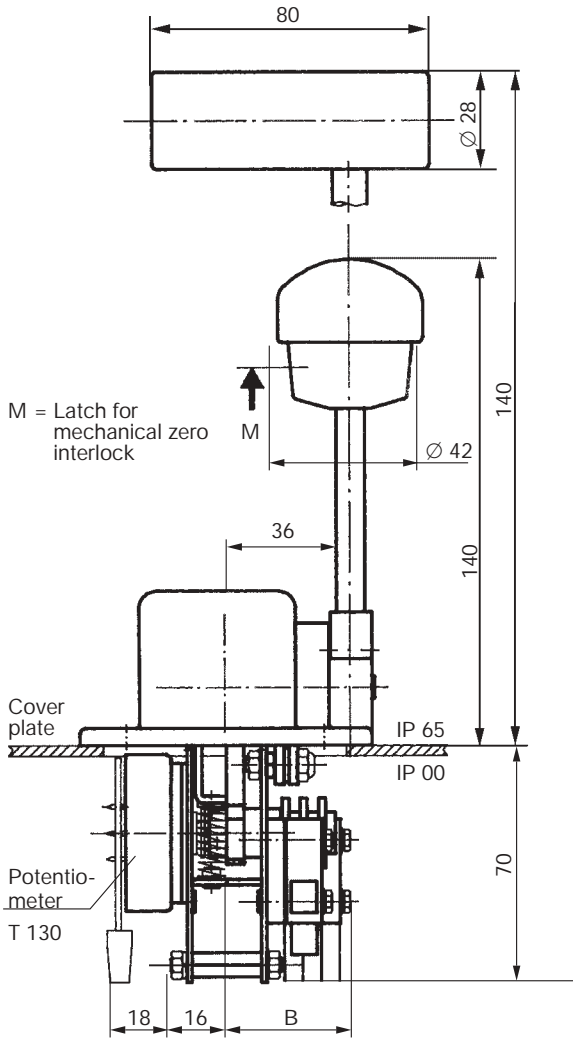
Mechanical life 6 million (operating cycles)
 Permissible ambient temperature Operation -40° C to + 60° C
 Storage -50° C to + 80° C

Climate resistance
 Damp heat constant DIN IEC 68 part 2-3
 Damp heat cyclic DIN IEC 68 part 2-30
 Degree of protection front IP 65 IEC 529 DIN 40050
 Technical data look catalog 5/100

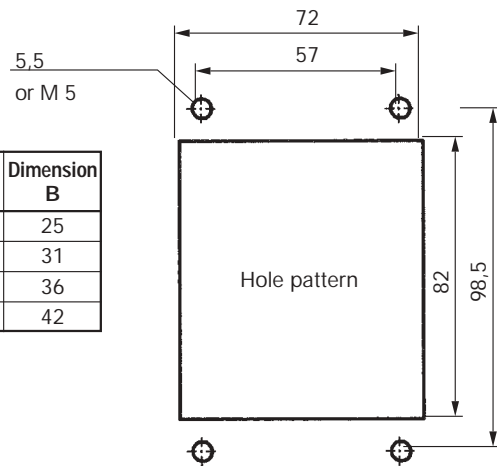
Spindle block with schematic representation of the master controller installation and deflection directions. Version shown for Left-hand side installation (right-hand side installation is mirror image).



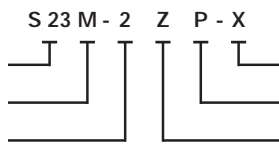
Pos.	S 23	Type	Weight gramm	Price EURO	
1		S 23	700		
2					
3					
4					
5					
10	Spring return in 0-position	Z	20		
11		R	20		
12					
13					
14	Friktion brake				
20	Control-handle with knob solid	M	50		
21					Control-handle with latch for mechanical zero interlock
22	Control-handle with T-grip	Q	40		
23					
24					
25					
26	Control handle long or short 160, 120 mm				
27					
28					
29					
30	Masterswitch switching sequence -0-	No. of contacts	1	150	
31			2	170	
32			3	190	
33			4	210	
34	Switching program according contact-arrangement MS... look catalog 5/001 or to your contact-arrangement				
35	Switching sequence 2-0-2				
36					
40	Potentiometer e.t.c. each masterswitch with mounted	P	70		
41	Wire-wound potentiometer T 130, with centre tap linear Life 10 ⁷ switching cycle resistance 2 x 0,5/1/2/5/10 kOhm, 1,5 Watt wiper current max. 10 mA				
42	Prepared for mounting potentiometer shaft 6 mm adjusting-angle 2 x 150°				
43	Prepared for mounting potentiometer e.t.c. adjusting-angle variable. more Potentiometer e.t.c. look catalog 1/240...				
50	Steel sheet housing B 200 masterswitch Gr. 4	B	1300		
51	More housing look catalog 1/250				
52					
60	Indicating labels not engraved with 2 arrows				
61	Engraved each 10 characters				
62					
70	Command and indicating devices look catalog 1/260				



Type	No. of contacts	Dimension B
1	1	25
2	2	31
3	3	36
4	4	42



Example for type-sign
Single-axis controller
Dead man's button
Masterswitch direction 1-2



Special please to describe
Potentiometer e.t.c.
Spring return