



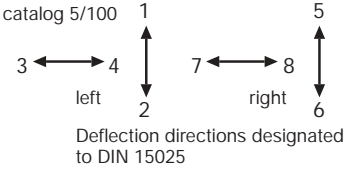
The single-axis controller S 3 is a rugged switching device according IEC 947-5-1 EN 60947 DIN VDE 0660-200 for nautical navigation applications. The modular design enables the switching device to be used universally. The S 3 is resistant to oil, maritime climate ozone and UV radiation.

Contact complement 0,5 A 110 V AC 15 res. 1,5 A 24 V DC 13
I min > 0,2 mA 2 V DC 12 Gold plated for max. load of 0,12 Watt (standard)
or I max < 300 mA 0,4 V DC 12 max. capacity 0,12 Watt do not exceed!
I min >0,2 mA 2 V DC 12 max. contact reliability for very low current (special)

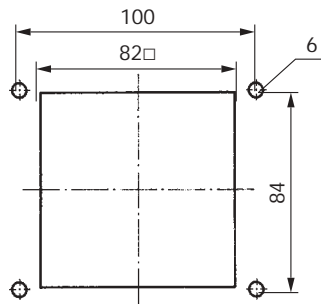
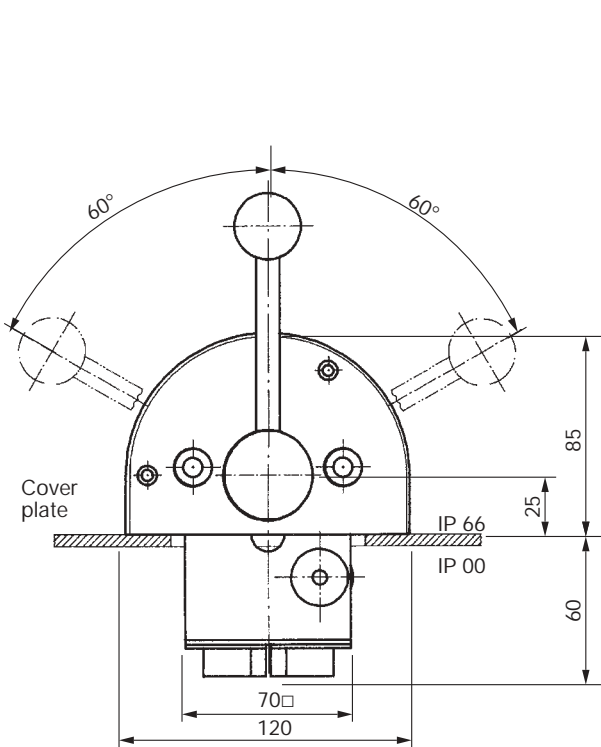
Mechanical life 10 million (operating cycles)
 Permissible ambient temperature Operation -40° C to + 60° C
 Storage -50° C to + 80° C

Climate resistance
 Damp heat constant DIN IEC 68 part 2-3
 Damp heat cyclic DIN IEC 68 part 2-30
 Degree of protection front IP 66 IEC 529 DIN 40050
 Technical data look catalog 5/100
 Description data look catalog 5/002

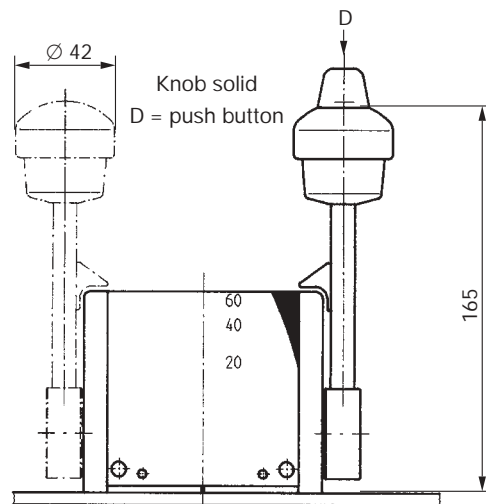
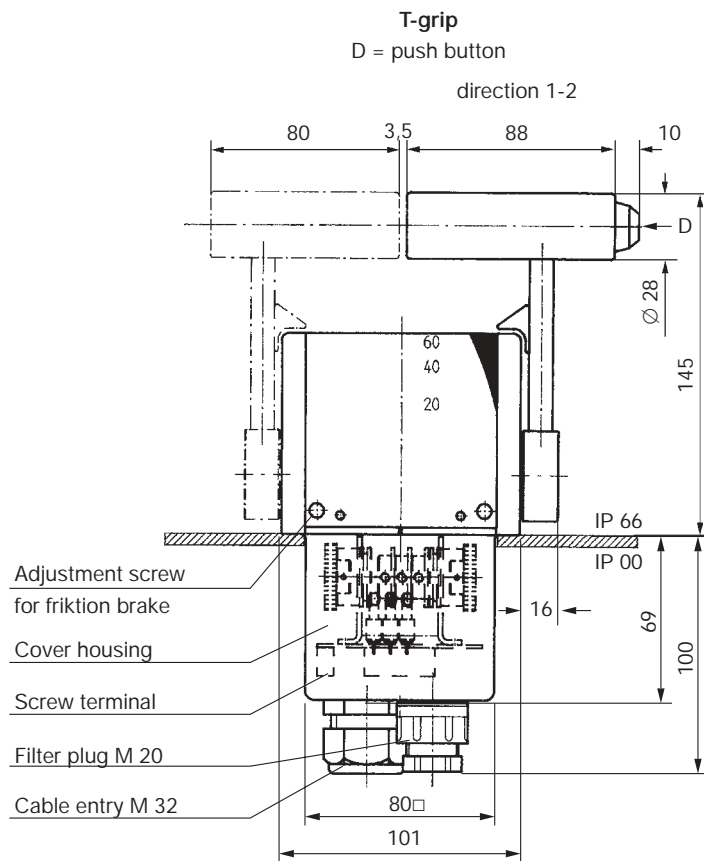
Spindle block with schematic representation of the master controller installation and deflection directions. Version shown for Left-hand side installation (right-hand side installation is mirror image).



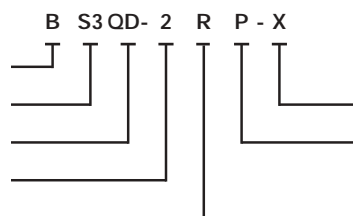
Pos.	S 3	Type	Weight gramm	Price EURO	
1		S 3	2700		
2					
3					
4					
5					
10	Spring return in 0-position	Z	30		
11		R	30		
12					
13					
14	Friktion brake				
20	Control-handle with knob solid				
21					
22					
23					
24		Control-handle with push button 1 NO	D	110	
25					
26		Control-handle with T-grip	Q	40	
27		Control-handle with T-grip and push button side 1 NO	QD	60	
28		Control handle long or short 180, 140 mm			
29					
30	Masterswitch switching sequence -0-	No. of contacts 1	1	20	
31		2	2	40	
32		3	3	60	
33		Direction 1-2 or 3-4			
34		Switching program according contact-arrangement MS... look catalog 5/001 or to your contact-arrangement			
35					
36	Switching sequence special				
40	Potentiometer e.t.c. each masterswitch with mounted Conductive-plastic-potentiometer T 246, with centre tap linear Life 10 ⁷ switching cycles resistance 2 x 5 kOhm, 0,5 Watt wiper current max. 1 mA	P	70		
41		(P)			
42		(P)			
43		Prepared for mounting potentiometer shaft 6 mm adjusting-angle 2 x 75° more Potentiometer e.t.c. look catalog 1/240...			
50	Cover housing	B	300		
51		Filter plug M 20 for air-condition		20	
52		cable entry M 32 with anti kink protection		30	
53					
54					
55					
56					
60	Indicating label eloxal aluminium plate silvery (include in the spindle block) Engraved each 10 characters				
61					



Hole pattern



Example for type-sign
Cover housing
Single-axis controller
T-grip with push button
Masterswitch direction 1-2
Friction brake direction 1-2



Special please to describe
Potentiometer e.t.c. direction 1-2