

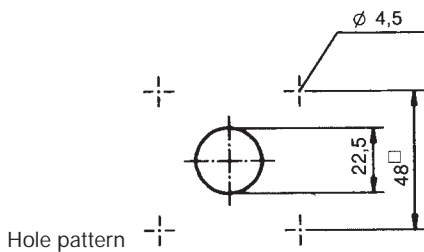
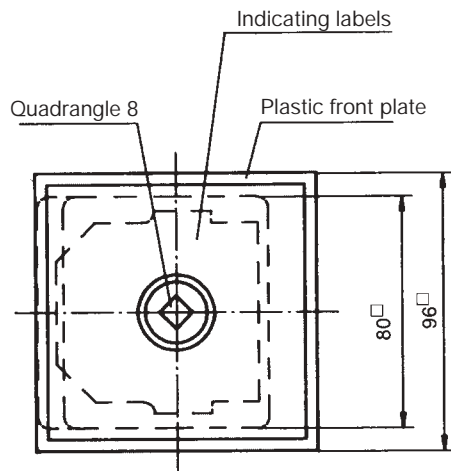
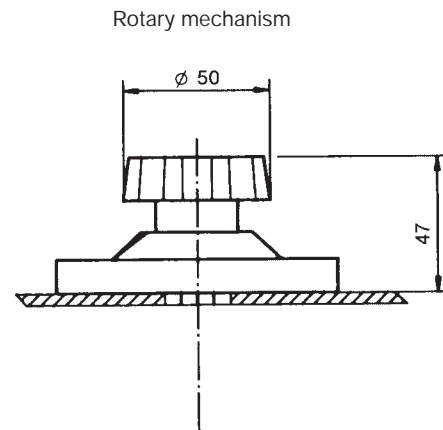
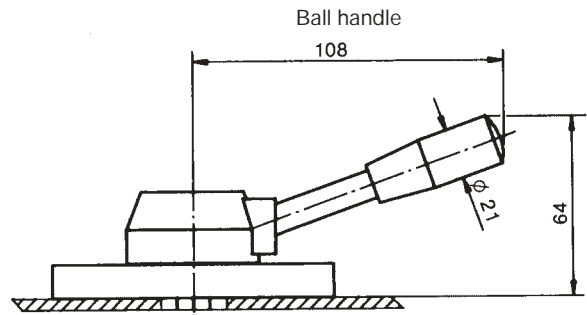
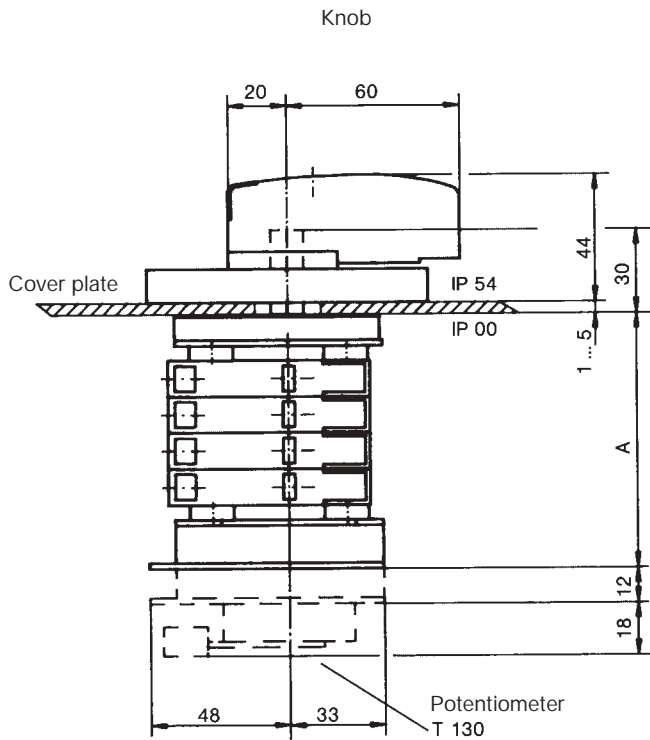
The control-switches N 6 is a rugged switching device according IEC 947-5-1 EN 60947 DIN VDE 0660-200 for hoisting and electro-hydraulic applications.
The modular design enables the switching device to be used universally.
The N 6 is resistant to oil, maritime climate ozone and UV radiation.

Contact complement 2 A 250 V AC 15 res. 1 A 24 V DC 13 (standard)
or 4 A 250 V AC 15 (special)

Mechanical life	10 million (operating cycles)
Permissible ambient temperature	Operation -40° C to + 60° C Storage -50° C to + 80° C
Climate resistance	
Damp heat constant	DIN IEC 68 part 2-3
Damp heat cyclic	DIN IEC 68 part 2-30
Degree of protection front	IP 54 IEC 529 DIN 40050
Technical data	look catalog 5/100

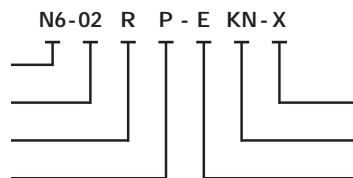
Description data look catalog 5/002

Pos.		Type	Weight gramm	Price EURO
1	Control-switches-insert	No. of contacts 2	01	290
2	with free shaft end	4	02	350
3	Switching sequence 4-0-4	6	03	410
4	Switching program according contact-arrangement MS look catalog 5/001	8	04	470
5	or to your contact-arrangement	10	05	530
6		12	06	590
7	Switching sequence 5-0-5 or 6-0-6 or 0-18			
8	Micro changeover contact (MZT1) positive opening (additional price)	2		
10	Spring return in 0-position max. 100 Grad (2 x 70°)	Z	110	
11	Friktion brake max. 260 Grad (2 x 130°)	R	30	
12	Degree of protection, front IP 65			
15	Plastic-front plate with indicating label	E	20	
16				
17				
20	Drive	KN	30	
21	Knob	HG	50	
22	Ball handle	DG	30	
23	Rotary mechanism			
24				
25	Potentiometer e.t.c. each masterswitch with mounted	P	70	
26	Wire-wound potentiometer T 130 with centre tap linear Life 10 ⁷ switching cycles			
27	resistance 2 x 0,5/1/2/5/10 kOhm 1,5 Watt wiper current max. 10 mA	(P)		
28	Prepared for mounting potentiometer shaft 6 mm adjusting-angle 2 x 150°	(P)		
	Prepared for mounting potentiometer e.t.c. adjusting-angle variable.			
	more Potentiometer e.t.c. look catalog 1/240...			
30	Housing look catalog 1/250			
40	Indicating labels not engraved			
41	Engraved each 10 characters			
50	Command and indicating devices look catalog 1/260			



Type-	No. of zahl	Dimension A	Spring return
01	2	51	+25
02	4	63	
03	6	76	
04	8	88	
05	10	101	
06	12	113	

Example for type-sign
Control switches
Control switches-Einsatz
Friction brake
Potentiometer e.t.c.



Special please to describe
Knob
Plastic front plate