



The swivelling crane control unit KST 6 is ergonomically designed and provides a high degree of comfort.

The standard design includes following:

Equipment boxes: plastic PU foam
The equipmentboxes with the devices can be vertically and horizontally adjusted together with the arm rests. Cabling is run through aduct in the cross-member. (Terminal block).

Seat: Comfortable spring mounted seat KFS 9, with an oilhydraulic vibration absorption system, weight adjustment and air-permeable artificial-Leather or textil material.

Adjusting possibilities: Seat horizontally and vertically, Inclination of cushion, backrest and armrest also adjustable. Weight setting for optimum spring suspension.

Cross-member: Steel section, top of which can be raised to lay cabling. The seat can be tilted backwards so that the cable duct in the crossmember is accessible.

Swivel base: zero-end-float spring-loaded bearing
Rotational movement 180° right, 90° left, stopped by friction-brake.

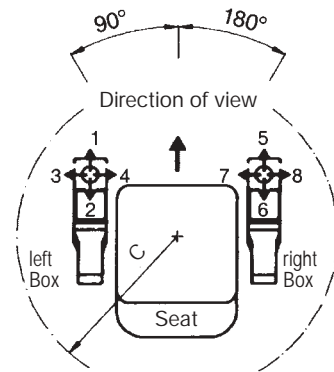
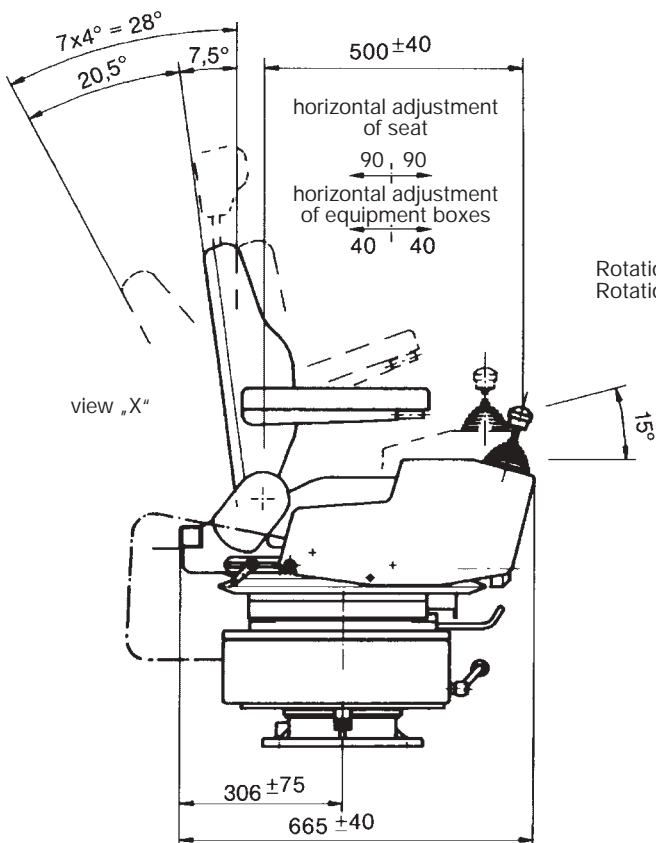
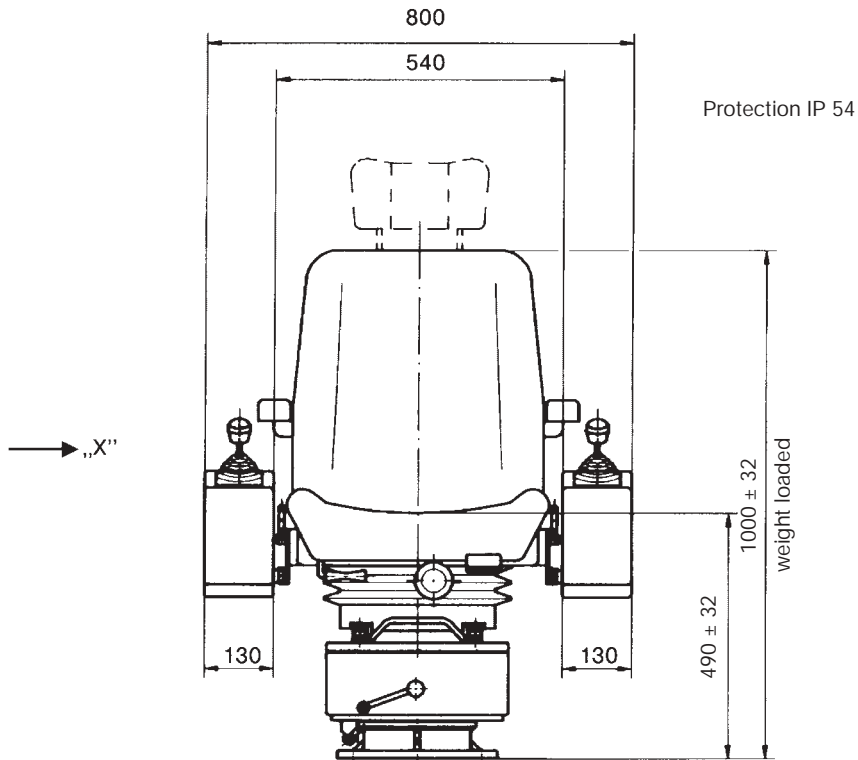
Surface treatment: Anti-corrosion primer, top coat:
2 coats of epoxy-resin paint, standard colour RAL 9011 black.
All non-painted metal parts are electrogalvanized and chromed.

Permissible ambient temperature Operation -40° C to + 60° C
Storage -50° C to + 80° C

Climate resistance
Damp heat constant DIN IEC 68 part 2-3
Damp heat cyclic DIN IEC 68 part 2-30
Degree of protection IP 54 IEC 529 DIN 40050

Description data look catalog 5/003/004

Pos.		Type	Weight kg	Price EURO
1	Crane control unit standard design	KST 6	48	
2	Crane control unit standard design not swivelled	KST 61	48	
3	Crane control unit standard design without swivel base and cross-member	KST 62	38	
4				
5				
6	Headrest for driver's seat KFS 9			
7	additional variations for driver's seat KFS 9 look catalog 2/140			
8				
9				
10	Foot rest mounted onto swivel base adjustable ± 15 mm		8	
11				
12				
13	Plate for horizontal manual adjustment of control unit adjustable ± 250 mm		95	
14				
15				
16				
17				
18				
19				
20	Multi-axis controller look catalog 1/100			
21	Single-axis controller look catalog 1/200			
22	Double handle controller look catalog 1/160			
23	Control-switch look catalog 1/220			
24	Command and indicating devices look catalog 1/360			
30	Terminal block 4 mm ² without wiring each terminal	KL		
31	Terminal block 4 mm ² with wiring wire 1,5 mm ² each terminal	KL		
32	External wiring single wire highly flexible 1,5 mm ² 5 metre long			
33	Additional or subtract price each metre			
40	Special painted			
41	Indicating labels not engraved with 2 or 4 arrows			
42	Engraved each 10 characters			



Rotations radius „C“- by minimal adjusting = 520 mm
Rotations radius „C“- by maximal adjusting = 620 mm

