

The crane driver's seat KFS 2 has stepless high adjustment by means of a gas-loaded spring.

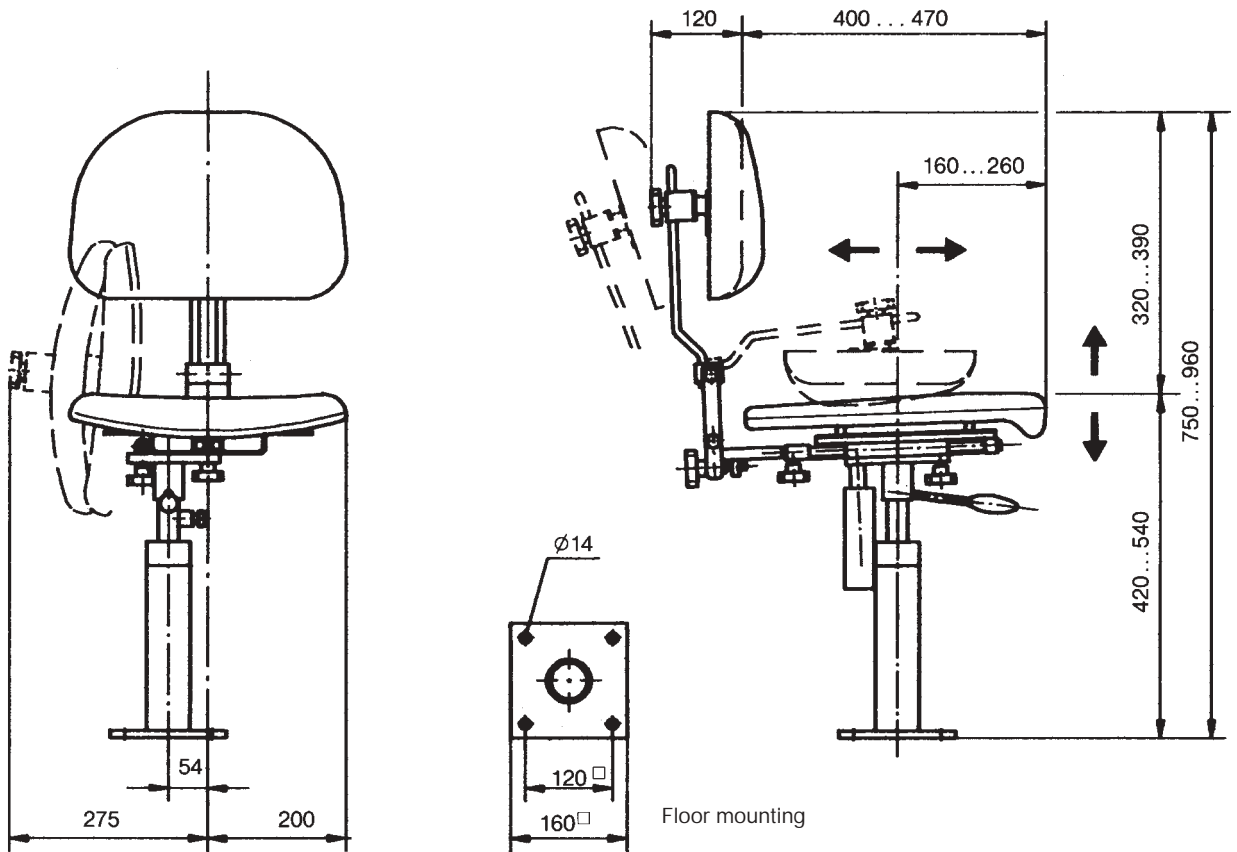
The backrest can be tilted, forwards onto the cushion, which in turn can then be tilted 90° sideways.

All these functions are performed easily via levers.

The metal parts are protected against corrosion and painted black.

Technical details:

| | |
|---|----------|
| Horizontal adjustment | 100 mm |
| Backrest adjustment, fine control inclination backwards | max. 10° |
| Height adjustment | 120 mm |



| Pos. | | Type | Weight kg | Price EURO |
|------|---|--------|-----------|------------|
| 1 | Driver's seat with air-permeable artificial-leather cover black | KFS 21 | 15 | |
| 2 | Driver's seat with textil cover gray / black | KFS 22 | 14 | |
| 3 | | | | |
| 4 | | | | |
| 5 | | | | |
| 6 | | | | |
| 7 | | | | |
| 8 | | | | |
| 9 | | | | |
| 10 | | | | |