



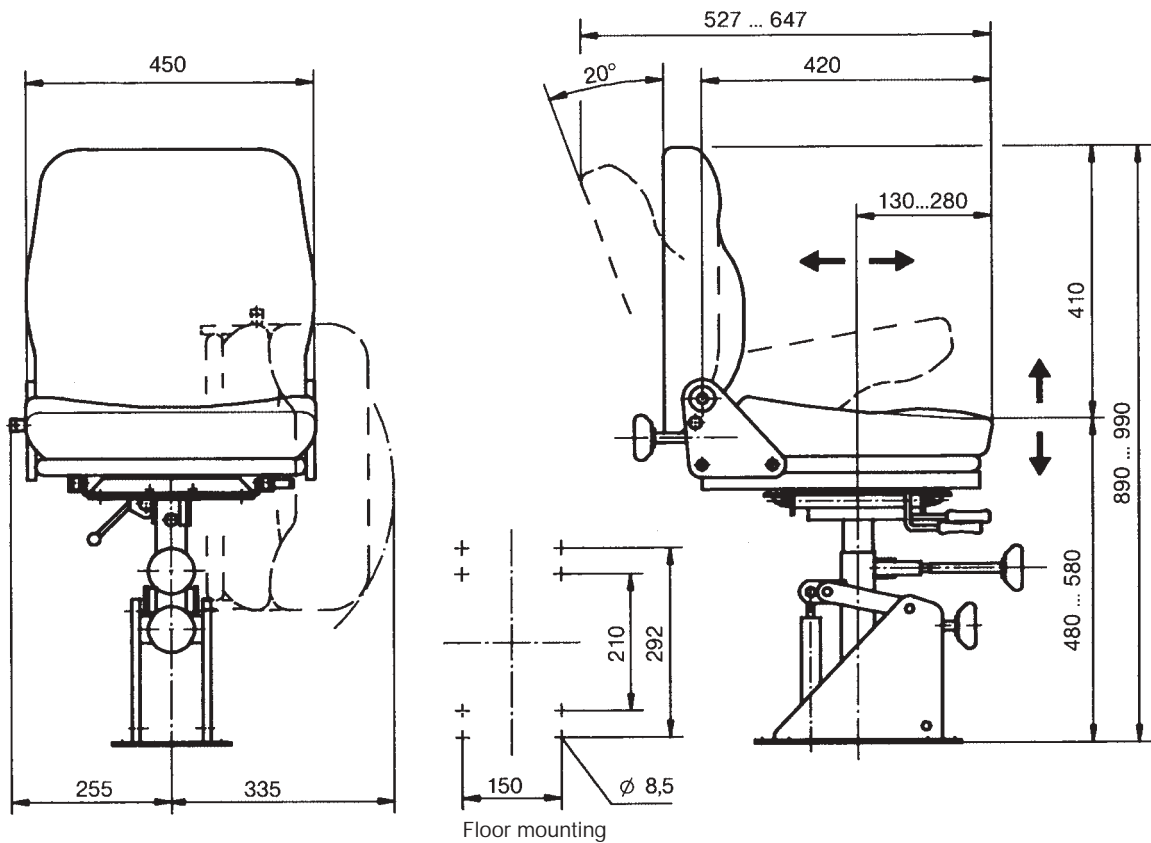
The crane driver's seat KFS 4 has stepless high adjustment by means of a gas-loaded spring and an oilhydraulic vibration absorption system with weight adjustment.

The backrest can be tilted, forwards onto the cushion, which in turn can then be tilted 90° side-ways.

All these functions are performed easily via levers.

The metal parts are protected against corrosion and painted black.

Technical details:	
suspension stroke	80 mm
Weight adjustment	50-130 kg
Horizontal adjustment	150 mm
Backrest adjustment, fine control	
inclination backwards	max. 20°
Height adjustment	100 mm



Pos.		Type	Weight kg	Price EURO
1	Driver's seat with air-permeable artificial-leather cover black	KFS 41	24	
2	Driver's seat with textil cover gray / black	KFS 42	24	
3				
4	Armrest fully adjustable (2 pieces) 50 mm wide			
5	Armrest fully adjustable (2 pieces) 100 mm wide			
6				
7				
8				
9				
10				