



The portable control unit TS 2 accommodates all the devices necessary for control and monitoring. The chest panel and straps enable the operator to carry it without becoming tired. An adjustable carrying strap can also be fitted for use without the chest plate.

The control console is made of polyester (glass fibre reinforced plastic).
Colour RAL 7032 pebble-gray.
It can also be supplied as RAL 1018 yellow.

Permissible ambient temperature

Operation -40° C to + 60° C
Storage -50° C to + 80° C

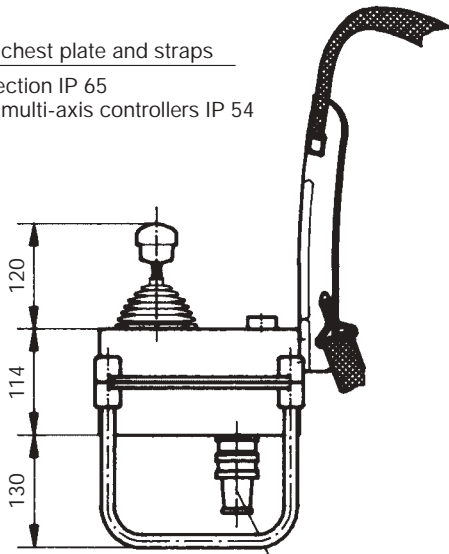
Climate resistance
Damp heat constant
Damp heat cyclic
Degree of protection

DIN IEC 68 part 2-3
DIN IEC 68 part 2-30
control unit IP 65 with
multi axis controller IP 54
to IEC 529 DIN 40050

Pos.		Type	Weight gramm	Price EURO
1	Control unit with chest plate and straps	TS 2	2400	
2	Control unit with straps	TS 21	2100	
3	Control unit with bracket and straps	TS 22	2400	
4	Plastic housing with surface resistance of less than < 10° Ohm/cm			
5	Legs for control unit alu-tube 2 pieces		320	
6	Legs for control unit stainless steel-tube 2 pieces		600	
7	Reeling hooks for control unit stainless steel		1200	
8	Cable entry M 32 for cable 11-21 mm or M 40 for cable 19-28 mm		80	
9	Cable entry 180° swivelling M 32 for cable 11-21 mm or M 40 for cable 19-28 mm		190	
10	Multi-axis controller look catalog 1/100			
11	Single-axis controller look catalog 1/200			
12				
13	Control-switch look catalog 1/220			
14	Command and indicating devices look catalog 1/360			
15	Plug in socket 16-pole male insert HAN 16 E without wiring		200	
16	Connector 16-pole female insert HAN 16 E without wiring		250	
17	Plug in socket 24-pole male insert HAN 24 E without wiring		320	
18	Connector 24-pole female insert HAN 24 E without wiring		340	
19	Plug in socket 32-pole male insert HAN 32 E without wiring		380	
20	Connector 32-pole female insert HAN 32 E without wiring		400	
21	Cable Oelflex 18 x 1 mm ² 13,4 mm ø -5° C to +80° C each metre		320	
22	Cable Oelflex 25 x 1 mm ² 15,4 mm ø -5° C to +80° C each metre		450	
23	Cable Oelflex 34 x 1 mm ² 18,6 mm ø -5° C to +80° C each metre		600	
24	Cable Neoflex 18 x 1 mm ² 19,2 mm ø -30° C to +80° C each metre		470	
25	Cable Neoflex 24 x 1 mm ² 22,1 mm ø -30° C to +80° C each metre		650	
26	Cable Neoflex 36 x 1 mm ² 26,1 mm ø -30° C to +80° C each metre		910	
27				
30	Terminal block 2,5 mm ² without wiring each terminal	KL		
31	Terminal block 2,5 mm ² with wiring wire 1,5 mm ² each terminal	KL		
32	Wired plug in socket, connector or cable each wire-connection			
33				
34				
40	Indicating labels not engraved with 2 or 4 arrows			
41	Engraved each 10 characters			

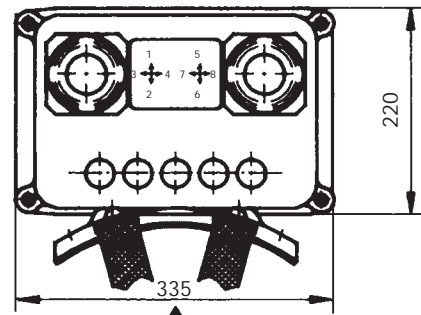
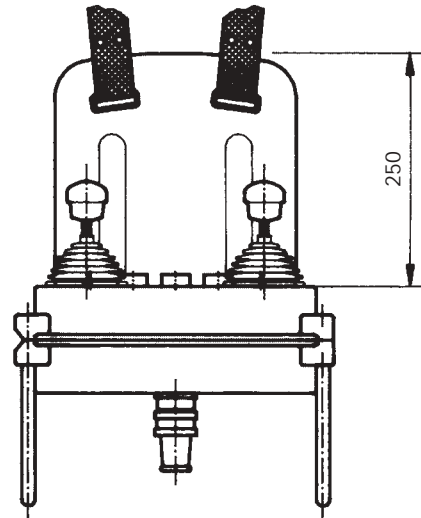


with chest plate and straps
protection IP 65
with multi-axis controllers IP 54



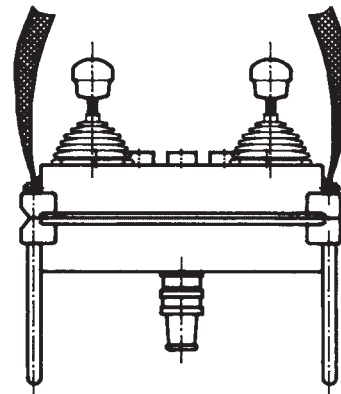
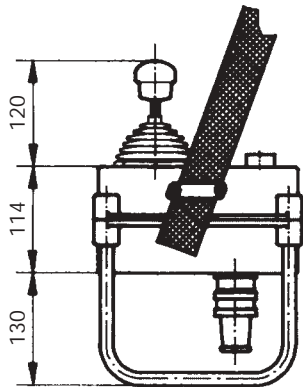
Cable entry

with anti-kink protection and
stain relief or connectors

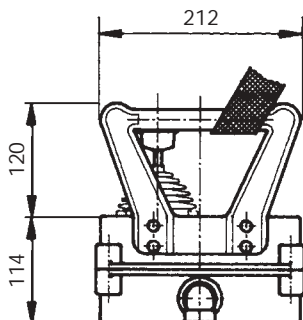


Direction of view

with adjustable carrying strap
protection IP 65
with multi-axis controllers IP 54



with bracket and cable entry swivelling
protection IP 65 with multi-axis controllers IP 54



Cable entry 180°
swivelling

with anti-kink protection and
stain relief or connectors

