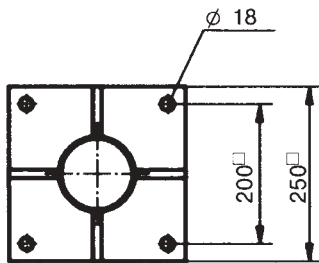
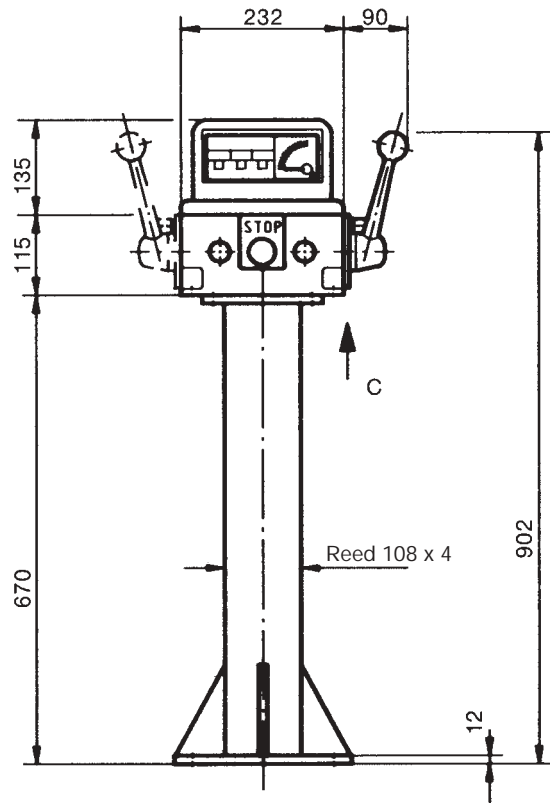
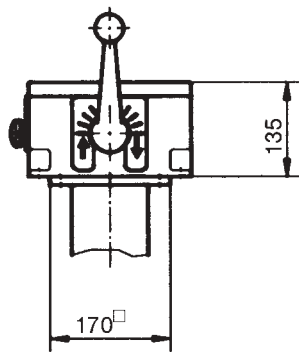
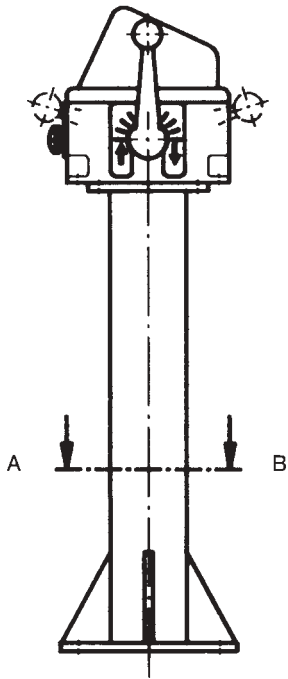
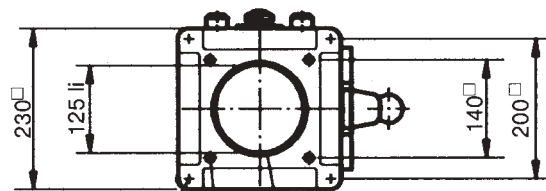




Protection with narrow cover



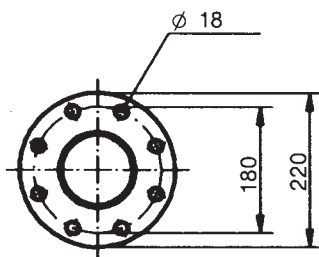
view A - B



ø 9, mounting
at the top

M 12, 20 deep (Helicoil)
mounting at the bottom

view C



view A - B
(option flange NW 100, DIN 2633)