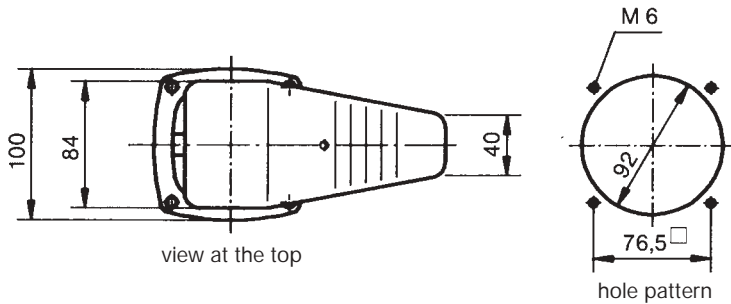
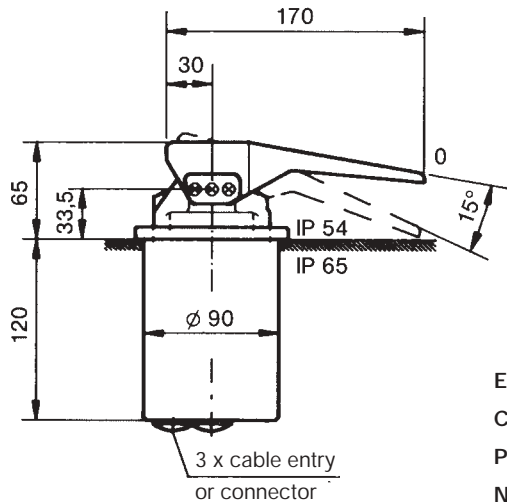


The pedal-controller P 12 is a rugged switching device to IEC 947-5-1 EN 60947 DIN VDE 0660-200 for electro-hydraulic applications. The modular design enables the switching device to be used universally. The P 12 is resistant to oil, maritime climate, ozone and UV radiation.

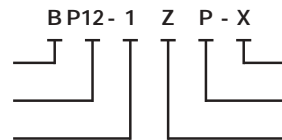
Contact complement 0,5 A 110 V AC 15 res. 1,5 A 24 V DC 13
I min > 0,2 mA 2 V DC 12 Gold plated for max. load of 0,12 Watt (standard)
or I max < 300 mA 0,4 V DC 12 max. capacity 0,12 Watt do not exceed!
I min >0,2 mA 2 V DC 12 max. contact reliability for very low current (special)

Mechanical life	8 million (operating cycles)
Permissible ambient temperature	Operation -40° C to + 60° C
	Storage -50° C to + 80° C
Climate resistance	Damp heat constant
	Damp heat cyclic
	Degree of protection front
Technical data	look catalog 5/100



Example for Type-sign

Cover-housing
Pedal-controller
No. of contacts



Special please to describe
Potentiometer e.t.c.
Spring return

Pos.		Type	Weight gramm	Price EURO
1	Pedal-controller standard version	P 12	1300	
2				
3	Switching sequence max. 0-3			
4	Spring return in 0-position	Z	30	
5	Friction brake	R	30	
6				
7	No. of contacts (microswitch) max. 3 pcs.	1	20	
8	Switching program according contact-arrangement MS look catalog 5/001	2	40	
9	or to your contact-arrangement	3	60	
10	Potentiometer e.t.c. with mounted Conductive-plastic potentiometer T 362 linear life 10 ⁷ switching cycles Resistance 5 kOhm 0,5 Watt wiper current max. 1 m A	P	70	
11	Prepared for mounting potentiometershaft 6 mm adjusting angle 120°	(P)		
12	More potentiometer e.t.c. look catalog 1/240...			
13	Impedance converter Input + 15 Volt, output + 10 Volt / 5 m A	I		
14	Cover housing	B	300	
15	Filter plug M 20 for air-condition		20	
16	Cable entry M 20		30	
17	Plug in socket 14-pole female insert CPC 17 unwired		150	
18	Connector 14-pole male insert CPC 17 unwired		150	
19	Wiring plug in socket or connector each wired-connection			
20	CAN-Bus Electronic look catalog 3/504			