

The gearing limit switch GE 1 is a rugged switching device to IEC 947-5-1 EN 60947 DIN VDE 0660-200 designed for hoisting applications. The modular micro changeover contacts are positive opening to VDE 0113.

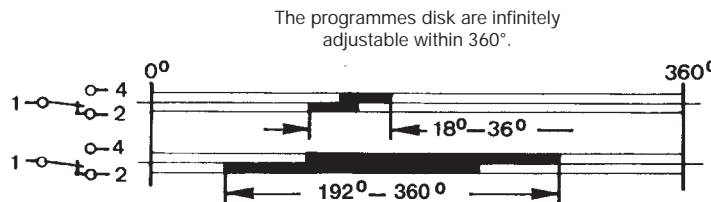
Contact complement 2 A 250 V AC 15 res. 3 A 24 V DC 13

The device is programmed by means of stepless adjustment of double cam disks, which can be provided from 18° to 192° contact disks according to the switching program required.

The following gear ratios (n:1) are possible:
2 3 4 5 6 7 8 10 12 13 15 16 18 20 25 26 28 30 40 50 60 66 75 80 88 91 104 110 121 140 154 160 176 220. Further ratios can be provided as required.
The maximum usable rotational angle at the spindle is 342°.

Surface treatment	Primer, top coat: 2 coats of epoxy-resin paint, standard colour RAL 7032 pebble-gray
Mechanical life	10 million (operating cycles)
Permissible ambient temperature	Operation -40° C to + 60° C Storage -50° C to + 80° C
Climate resistance	
Damp heat constant	DIN IEC 68 part 2-3
Damp heat cyclic	DIN IEC 68 part 2-30
Degree of protection (in housing)	IP 65 IEC 529 DIN 40050
Technical data	look catalog 5/100, T 168

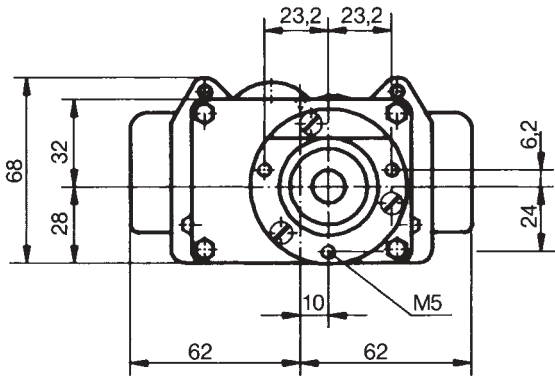
Pos.		Type	Weight gramm	Price EURO
1	Limit switch without gear	No. of contacts 2	350	
2		3	400	
3	Switching program with 18°, 24°, 30°, 36°, 45°, 60°, 75°, 90°, 110°, 120°, 176° or 192°	4	450	
4	Contact ways program-disks	5	500	
5		6	550	
6		7	600	
7		8	650	
8		9	700	
9		10	750	
10		11	800	
11		12	850	
12		13	900	
13		14	950	
14		15	1000	
15	Or to your contact-arrangement	16	1050	
20	Gearing	Ratios (n : 1) 2 : 1 to 20 : 1	400	
21		25 : 1 to 80 : 1	450	
22		88 : 1 to 121 : 1	500	
23		140 : 1 to 220 : 1	550	
24		or ratios to your instructions	550	
25	Potentiometer e.t.c. with mounted Wire-wound potentiometer PW 70 d linear life 10 ⁷ switching cycles Resistance 1,2,5,10 kOhm 5 Watt wiper current max. 30 mA	P	100	
26	Prepared for mounting potentiometer (gearing metal)	(P)		
27	Prepared for mounting potentiometer e.t.c. adjusting angle variable More potentiometer e.t.c. look catalog 1/240...	(P)		
30	Aluminium housing U 17 / 13 für max. 8 contacts	U	1500	
31	Aluminium housing U 16 / 20 für max. 16 contacts	U	3000	
32	Aluminium housing U 16 / 35	U	3000	



The programmes disk are infinitely adjustable within 360°.

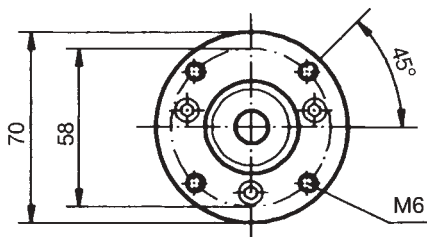
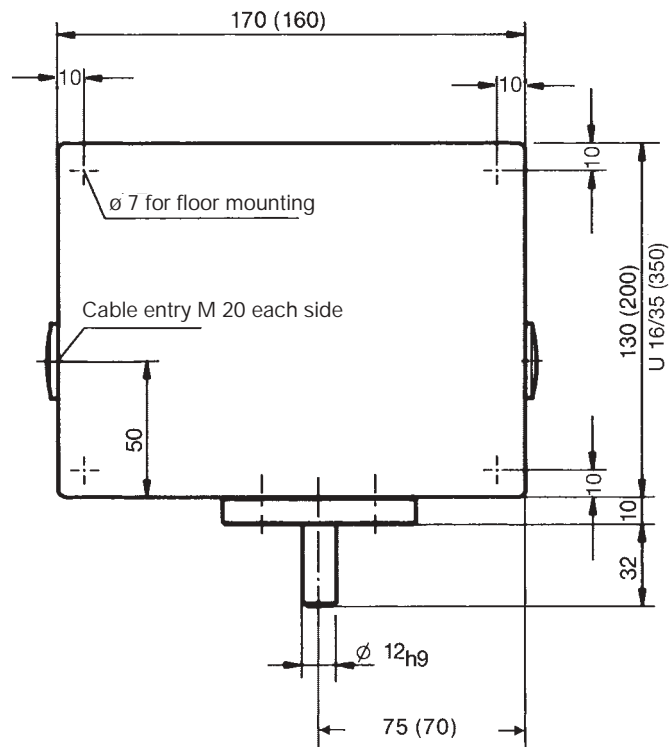
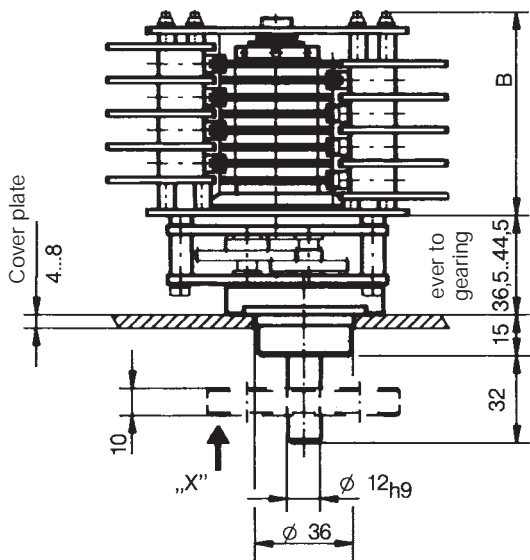
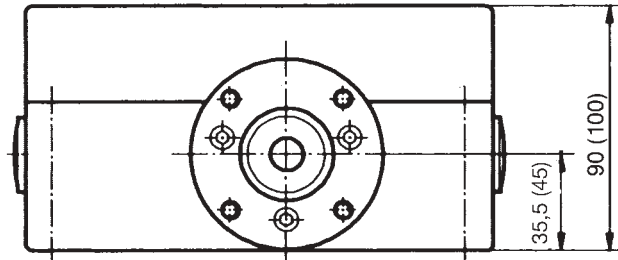


view without build-on flange



Aluminium housing ... U 17 / 13
Aluminium housing (...) U 16 / 20 and U 16 / 35

Protection IP 65



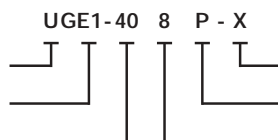
Build on flange view „X“

Type	No. of contact	Dimension B
1	1	32
2	2	38,5
3	3	44,5
4	4	50,5
5	5	56,5
6	6	63
7	7	69
8	8	75

Type	No. of contact	Dimension B
9	9	81
10	10	87
11	11	93
12	12	99
13	13	105,5
14	14	111,5
15	15	117,5
16	16	123,5

Example for Type-sign

Aluminium housing
Gear limit switch
Gear ratios



Special please to describe
Potentiometer e.t.c.
No. of contacts