

The copy-cam controller KVS is a rugged switching device to IEC 947-5-1 EN 60947 DIN VDE 0660-200 and is designed for packing machines. The free spindle end is intended for a gearwheel, sprocket wheel or for direct coupling to the driven machine. Gearing for matching rotational speed can be supplied (see 3/200).

The work sequence of the machine is "copied". The drum controller is supported in a bearing, is extremely accurate and has a long service life. The contact blocks, micro-switches, proximity initiators (Items 15-19) can be replaced individually or can be combined.

The unit is programmed via double cam disks which can be adjusted steplessly and which have a 180° contact deck.

Surface treatment	Primer, top coat: 2 coats of epoxy-resin paint, standard colour RAL 7032 pebble-gray
Mechanical life	20 million (operating cycles)
Permissible ambient temperature	Operation -40° C to +60° C Storage -50° C to +80° C

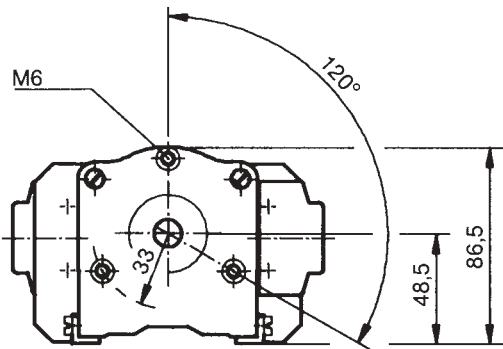
Climate resistance	DIN IEC 68 part 2-3
Damp heat constant	DIN IEC 68 part 2-30
Damp heat cyclic	IP 54/65 IEC 529 DIN 40050
Degree of protection (in housing)	

Technical data look catalog 5/100, T 104

Proximity initiator
Type IN 5002-FPKG plus switching
Type IN 5002-FNKG minus switching
Connection voltage 18-30 V DC
Current loading 100 mA
Current consumption, not switched 10 mA
Ambient temperature, compensated -25° C/+80° C
Output: contact-free, short-circuit proof and protected against polarity reversal, switching state displayed via LED

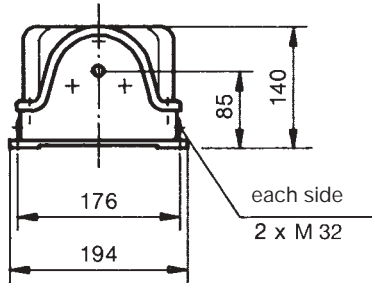
Pos.		Type	Weight kg	Price EURO
1	Copy-cam controller	No. of contacts 3	01	0,7
2	With free shaft end 12 mm ø	5	02	0,9
3	Without contacts	7	03	1,1
4	Without proximity initiator	9	04	1,3
5		11	05	1,5
6	Switching program 180° each contact way	13	06	1,7
7		15	07	1,9
8	The prommes disk are infinitely adjustable within 360°.	17	08	2,1
9		19	09	2,3
10		21	10	2,5
11		23	11	2,7
12				
15	Cam operated switch 4 A 350 V AC 15 1 NC	1	5	0,08
16				
17	Microswitch 8 A 250 V AC 15 1 NC + 1 NO	1	7	0,08
18	Proximity initiator plus switching 1 NC or 1 NO	1	8	0,08
19	Proximity initiator minus switching 1 NC or 1 NO	1	8	0,08
20	Impulse device hall generator 15 Imp./rev via slot disk		I	0,08
25	Second, free shaftend 12 mm ø		F	
26	Mounting angles 2 pieces each copy-cam controller		W	0,1
30	Aluminium housing U 15 / 14 IP 54 upto Type 03		U	1,7
31	Aluminium housing U 15 / 21 IP 54 upto Type 06		U	2,3
32	Aluminium housing U 15 / 30 IP 54 upto Type 11		U	2,9
33	Aluminium housing U 20 / 15 IP 65 upto Type 03		U	2,6
34	Aluminium housing U 20 / 22 IP 65 upto Type 06		U	3,3



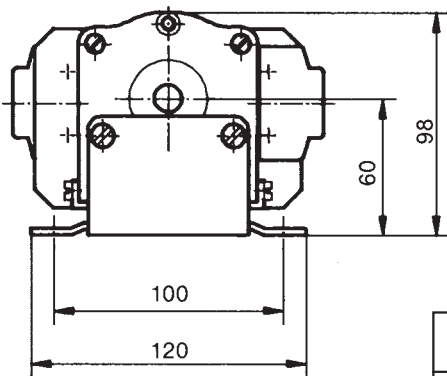
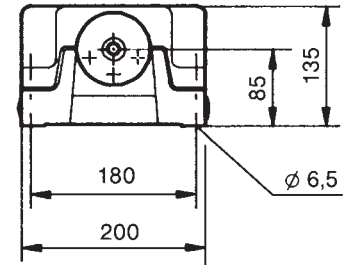


Mounting at the top

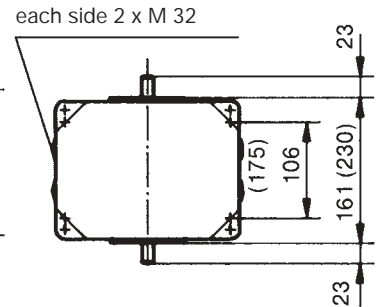
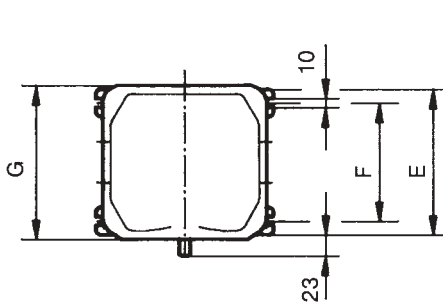
U 15 / ..
Protection IP 54



U 20 / ..
Protection IP 65

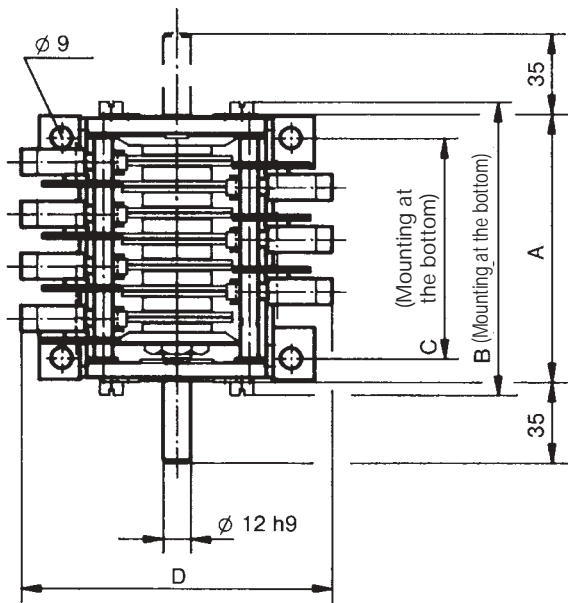


Mounting at the bottom
(with mounting angles)



U 15 / ..	Dimension E	Dimension F	Dimension G
/14	160	130	169
/21	230	200	239
/30	320	290	329

Type 03 = U 20 / 15
Type 06 = U 20 / 22 (...)



Type	No. of contact	Dimension A	Dimension B	Dimension C
01	3	72	87	51
02	5	95	110	74
03	7	118	133	97
04	9	141	156	120
05	11	164	180	143
06	13	187	202	166
07	15	210	225	189
08	17	233	248	212
09	19	256	271	235
10	21	279	294	258
11	23	302	317	281

Type	Dimension D	Screw-connection
KVS 5	125	M 4
KVS 7	145	M 3
KVS 8	140	M 3

Example for Type-sign
Aluminium housing
Copy-cam controller
Contact-type



Special please to describe
No. of contacts