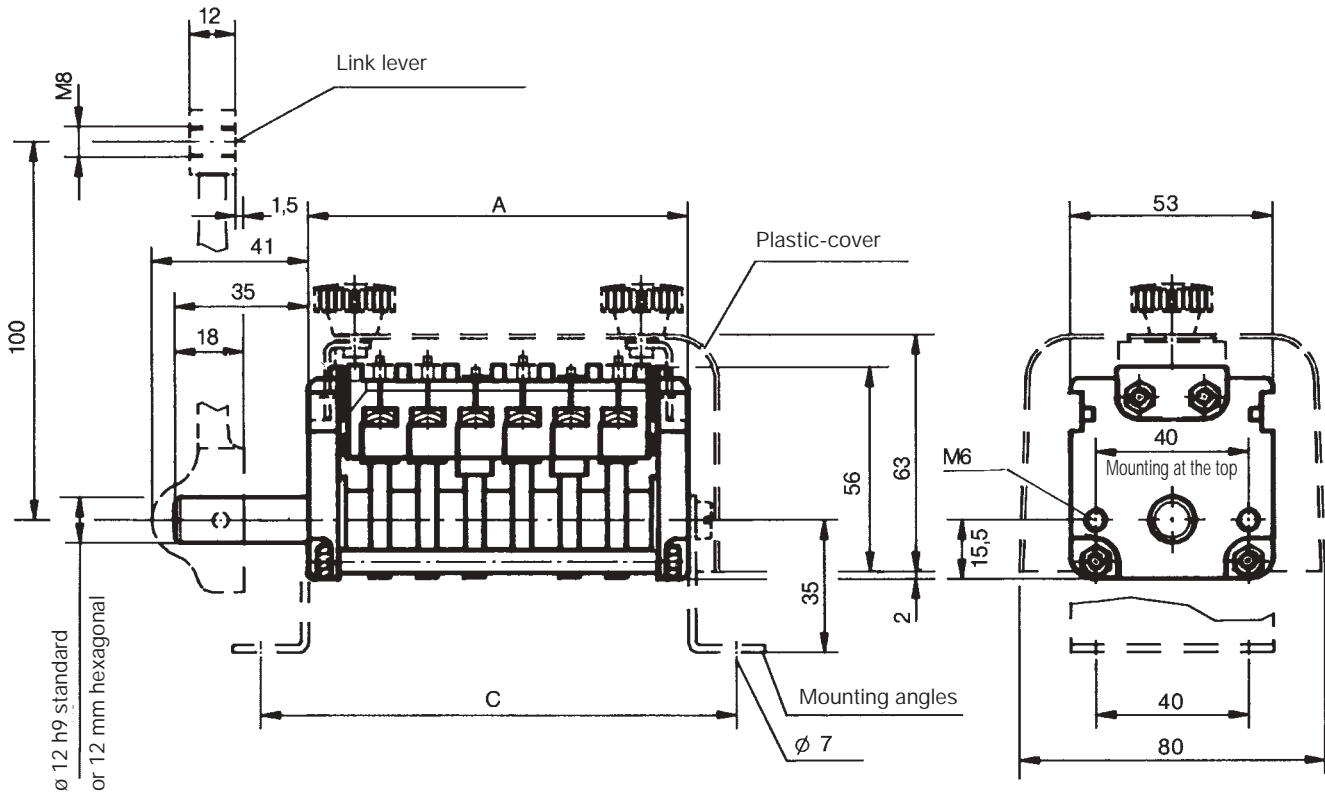


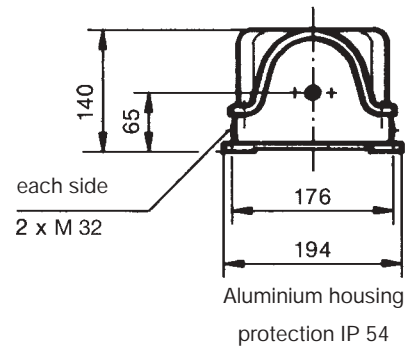
The cam controller NU 2 is used as a signal and announcement switch in HV systems. This rugged switching device to IEC 947-5-1 EN 60947 DIN VDE 0660-200 has cam disks made of insulation material that can be set at 10° intervals. **The switching rating of the contacts (positively opened) is 4 A 350 V AC 15 res. 1 A 24 V DC 13.**

Mechanical life	6 million operating cycles
Permissible ambient temperature	Operation -40° C to + 60° C Storage -50° C to + 80° C
Climate resistance	
Damp heat constant	DIN IEC 68 part 2-3
Damp heat cyclic	DIN IEC 68 part 2-30
Degree of protection (in housing)	IP 54 IEC 529 DIN 40050
Technical data	look catalog 5/100

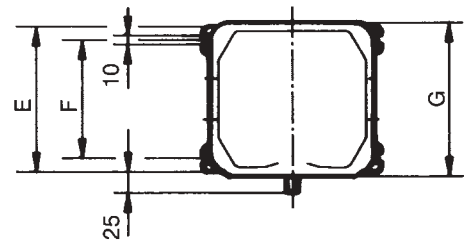
Pos.		No. of contact	Type	Weight gramm	Price EURO
1	Signal-cam controller	2	2	280	
2	with free shaftend 12 mm ø standard	4	4	380	
3	or 12 mm hexagonal	6	6	480	
4	Switching program	8	8	580	
5		10	10	680	
6		12	12	780	
7		14	14	880	
8	or to your contact-arrangement	16	16	980	
9	Switching program to your contact-arrangement	2			
10					
11	Second free shaftend 12 mm ø standard or 12 mm hexagonal		F		
12	Spring return in 0-position		Z	110	
13	Switching sequence 4-0-4				
14	Mounting angles 2 pieces each Signal-cam controller		W	80	
15	Link lever for shaft 12 mm ø standard or 12 mm hexagonal		GH	70	
21	Plastic-cover (Astralon)	up to max. 4	A		
22	(Dust and shock protection)	8	A		
23		12	A		
24		16	A		
25					
30	Aluminium housing U 15 / 14 up to Type 6		U	1700	
31	Aluminium housing U 15 / 21 up to Type 12		U	2300	
32	Aluminium housing U 15 / 30 up to Type 16		U	2900	



Type	No. of contact	Dimension A	Dimension C
2	2	50	75
4	4	75	100
6	6	100	125
8	8	125	150
10	10	152	177
12	12	177	202
14	14	202	227
16	16	227	252



U 15 / ..	Dimension E	Dimension F	Dimension G
/14	160	130	169
/21	230	200	239
/30	320	290	329



Example for Type-sign
Aluminium housing
Signal-cam controller
No. of contacts



Special please to describe
Link rod
Spring return