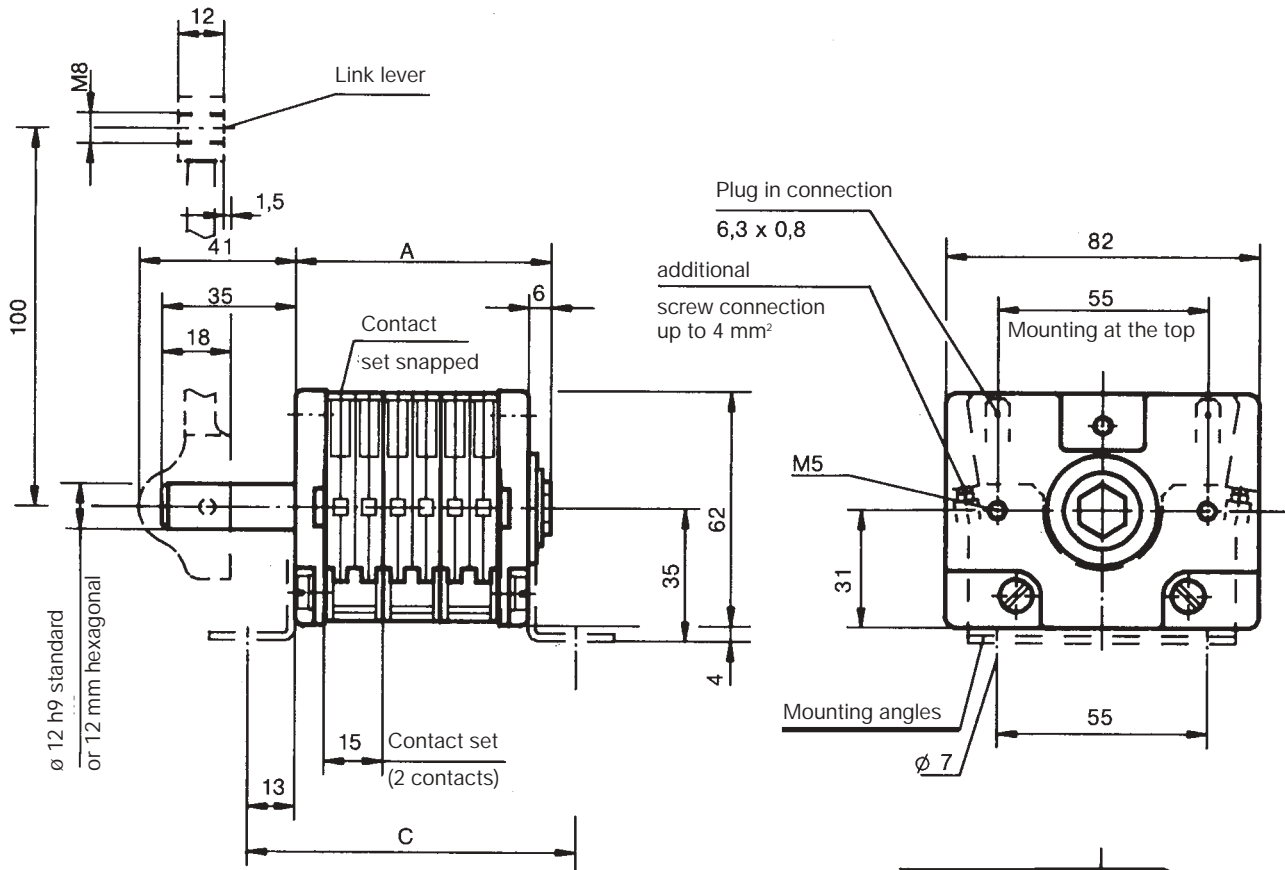


The cam controller NU 3 is used as a signal and announcement switch in HV systems. This rugged switching device to IEC 947-5-1 EN 60947 DIN VDE 0660-200 and VDE 0670/4 § 20 has cam disk that can be programme.
The switching rating of the contacts (positively opened and positively closed) is 8 A 250 V AC 15 res. 2,5 A 250 V DC.
 Time constant L/R = 20 ms.

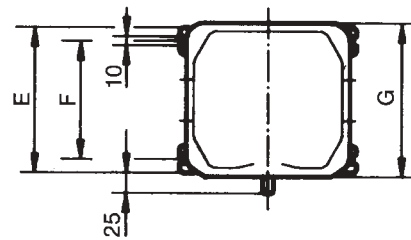
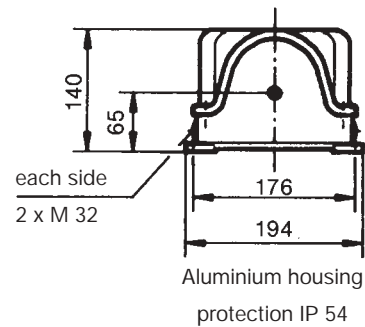
Mechanical life	1 million operating cycles
Permissible ambient temperature	Operation -40° C to + 60° C Storage -50° C to + 80° C
Climate resistance	
Damp heat constant	DIN IEC 68 part 2-3
Damp heat cyclic	DIN IEC 68 part 2-30
Degree of protection (in housing)	IP 54 IEC 529 DIN 40050
Technical data	look catalog 5/100

Pos.		No. of contact	Type	Weight gramm	Price EURO
1	Signal-cam controller	2	01	450	
2	with free shaftend 12 mm ø standard	4	02	600	
3	or 12 mm hexagonal	6	03	750	
4	Contacts with connector lugs	8	04	900	
5	Switching program to your	10	05	1050	
6	contact-arrangement	12	06	1200	
7		14	07	1350	
8		16	08	1500	
9		18	09	1650	
10		20	10	1800	
11		22	11	1950	
12		24	12	2100	
13		26	13	2250	
14		28	14	2400	
15		30	15	2550	
16		32	16	2700	
20	Contacts with additional screw connection each	2			
21	Second free shaftend 12 mm ø standard or 12 mm hexagonal		F		
22	Spring return in 0-position		Z	110	
23	Switching sequence 4-0-4				
24	Mounting angles 2 pieces each Signal-cam controller		W	80	
25	Link lever for shaft 12 mm ø standard or 12 mm hexagonal		GH	70	
30	Aluminium housing U 15 / 14 up to Type 6		U	1700	
31	Aluminium housing U 15 / 21 up to Type 12		U	2300	
32	Aluminium housing U 15 / 30 up to Type 16		U	2900	

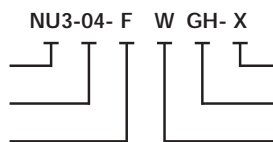


Type	No. of contact	Dimension A	Dimension C
01	2	37	57
02	4	52	72
03	6	67	87
04	8	82	102
05	10	97	117
06	12	112	132
07	14	127	147
08	16	142	162
09	18	157	177
10	20	172	192
11	22	187	207
12	24	202	222
13	26	217	237
14	28	232	252
15	30	247	267
16	32	262	282

U 15 / ..	Dimension E	Dimension F	Dimension G
/14	160	130	169
/21	230	200	239
/30	320	290	329



Example for Type-sign
Signal-cam controller
No. of contacts
Second free shaftend



Special please to describe
Link rod
Mounting angles